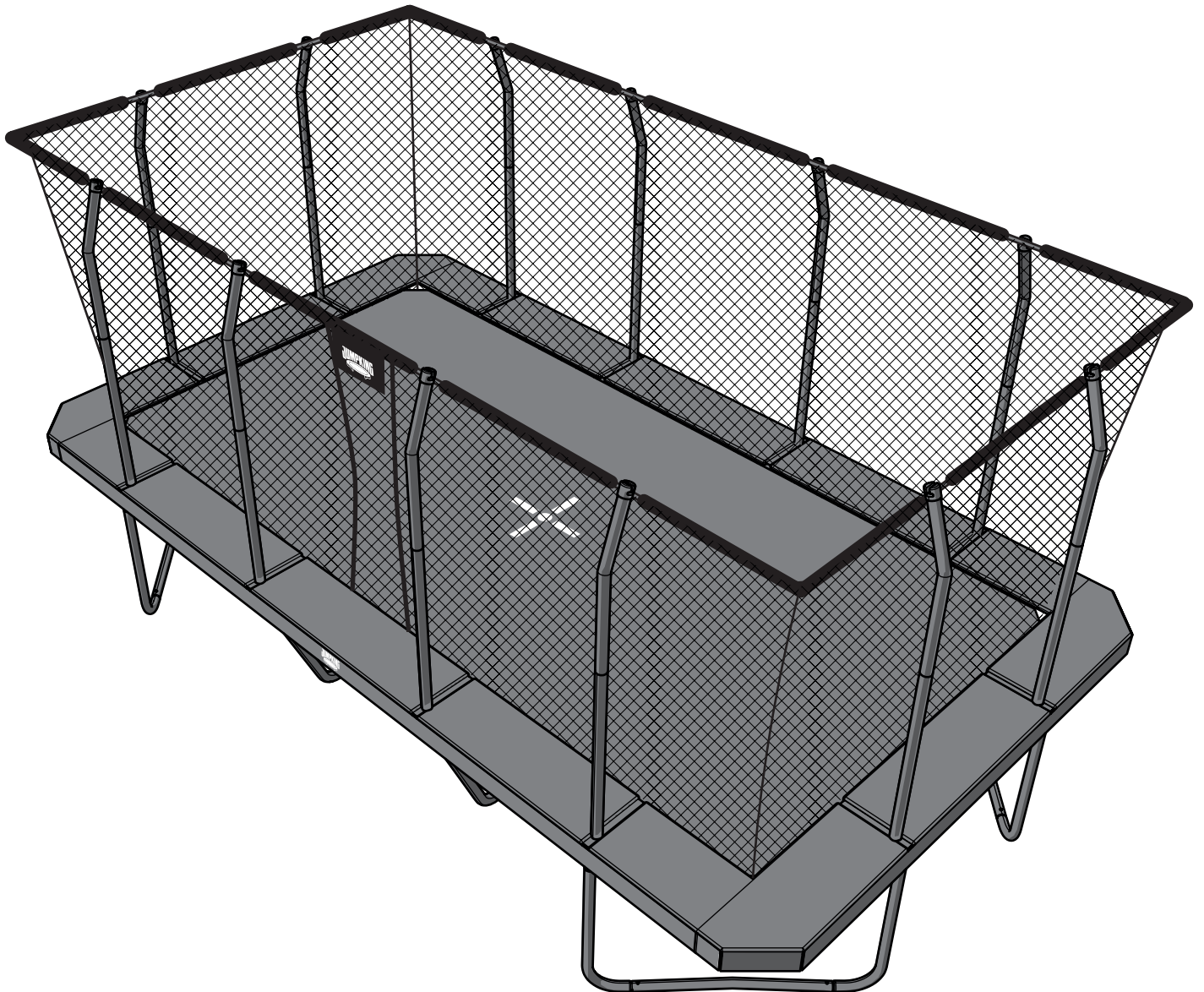


RECTANGULAR 18



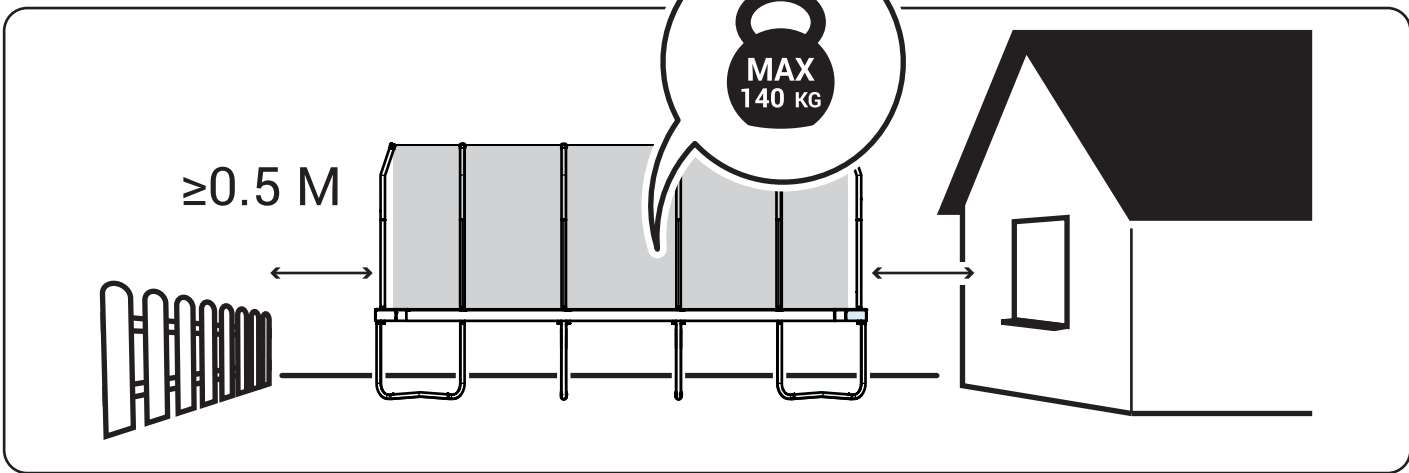
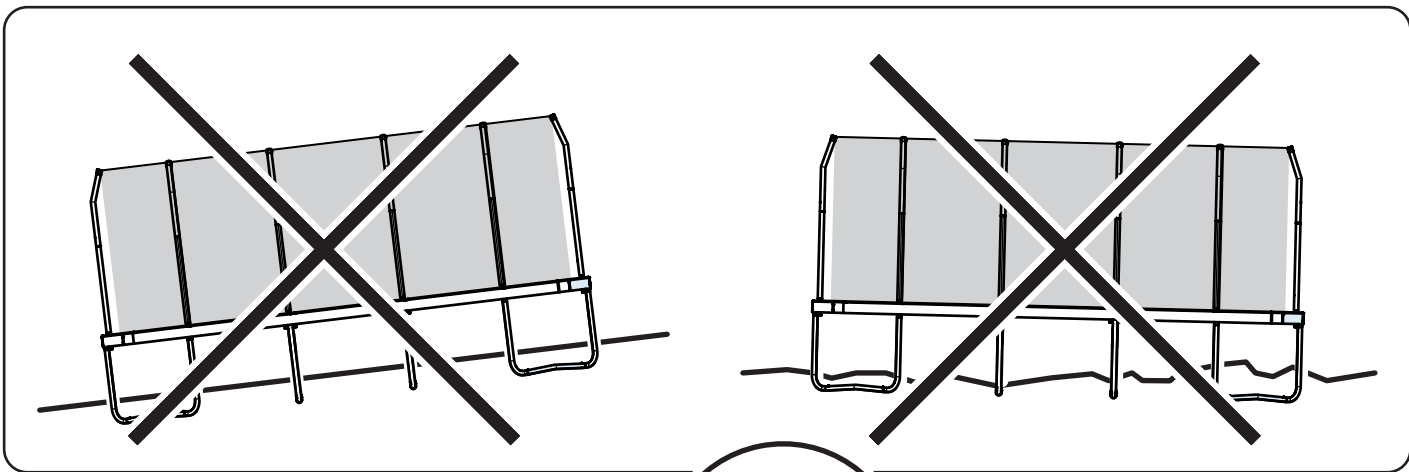
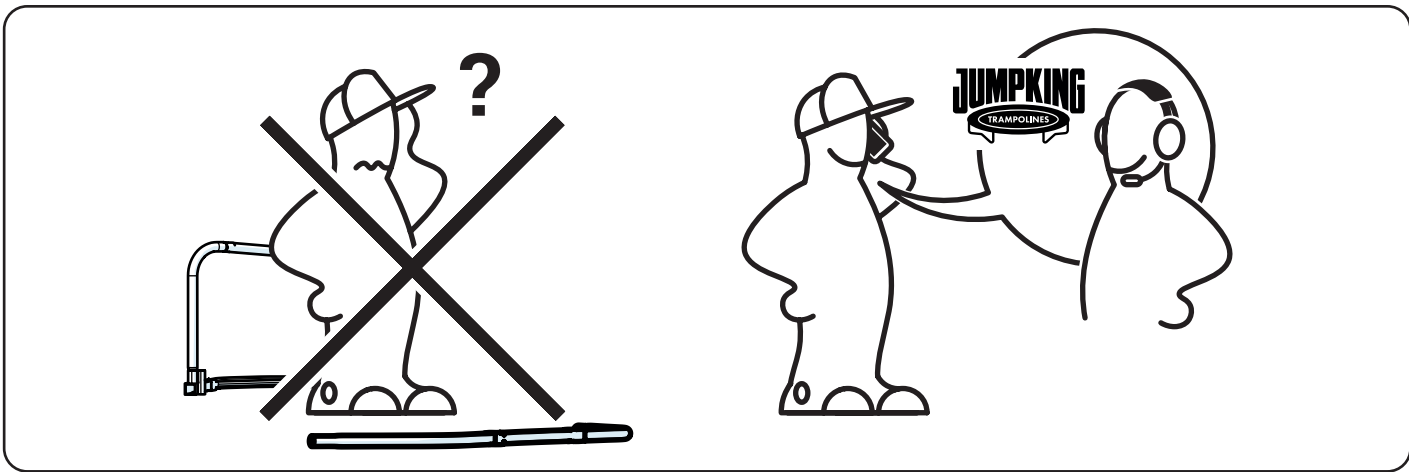
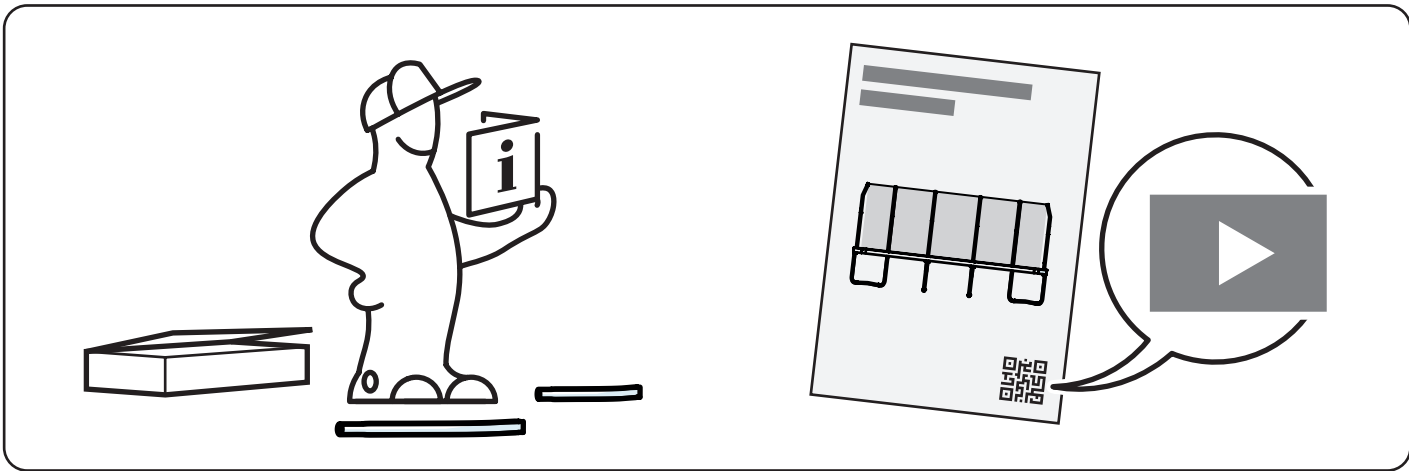
Jumpking Studsmattor Sweden AB is not liable or bound by warranty if these instructions are not adhered to during assemble, or if the equipment is modified without written consent from the manufacturer.

Copyright © Jumpking Studsmattor Sweden AB

Jumpking Studsmattor Sweden AB can accept no responsibility for possible errors in catalogues, brochures and this also applies to products already on order provided that such alterations can be made without sub sequential changes being necessary in specifications already agreed.

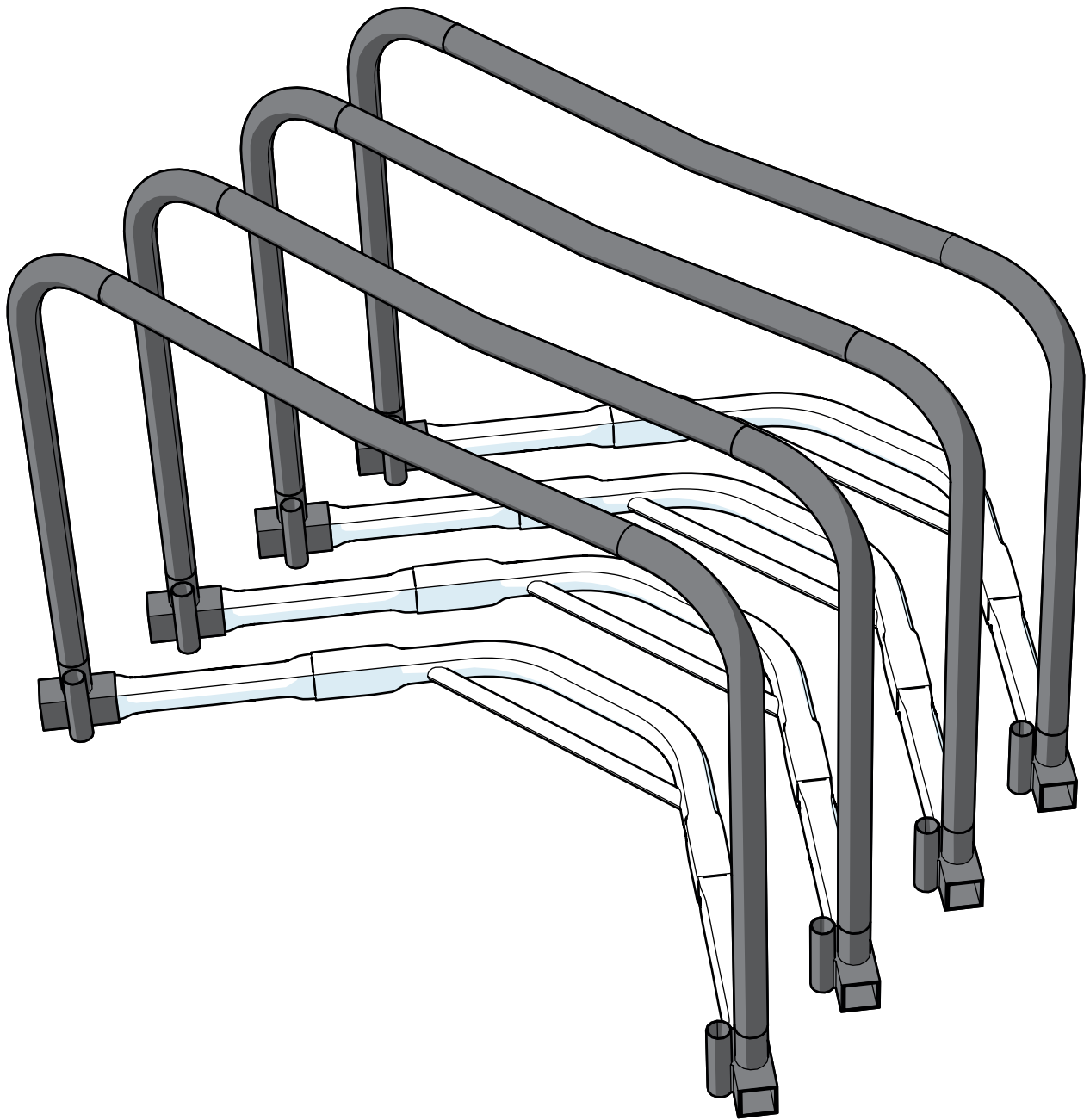
All rights reserved.

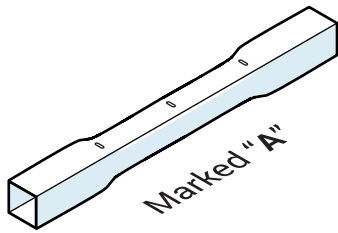
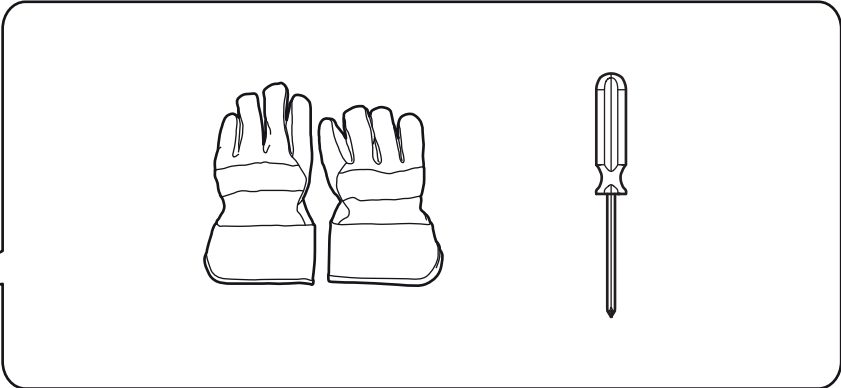
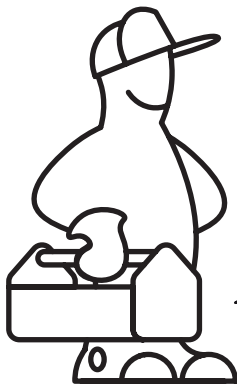
All other trademarks are the properties of their respective owners.



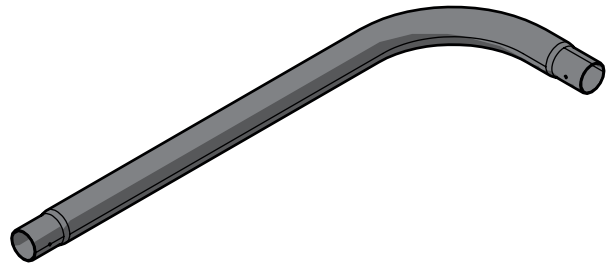
For information regarding care and maintenance, visit your local Jumping website.

ASSEMBLE THE CORNER SECTIONS

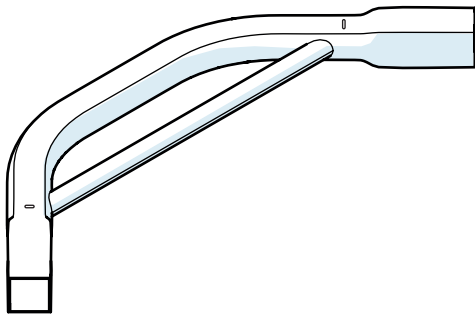




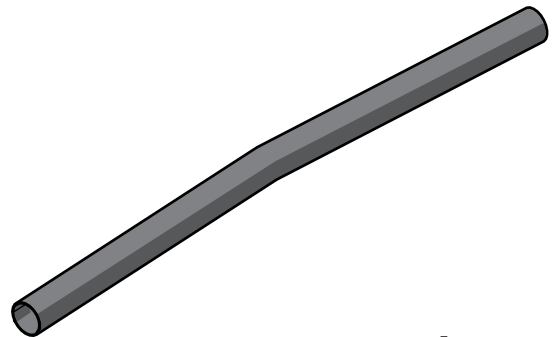
x8
(box 2)



x8
(box 1)



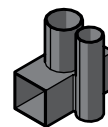
x4
(box 2)



x4
(box 1 and box 2)

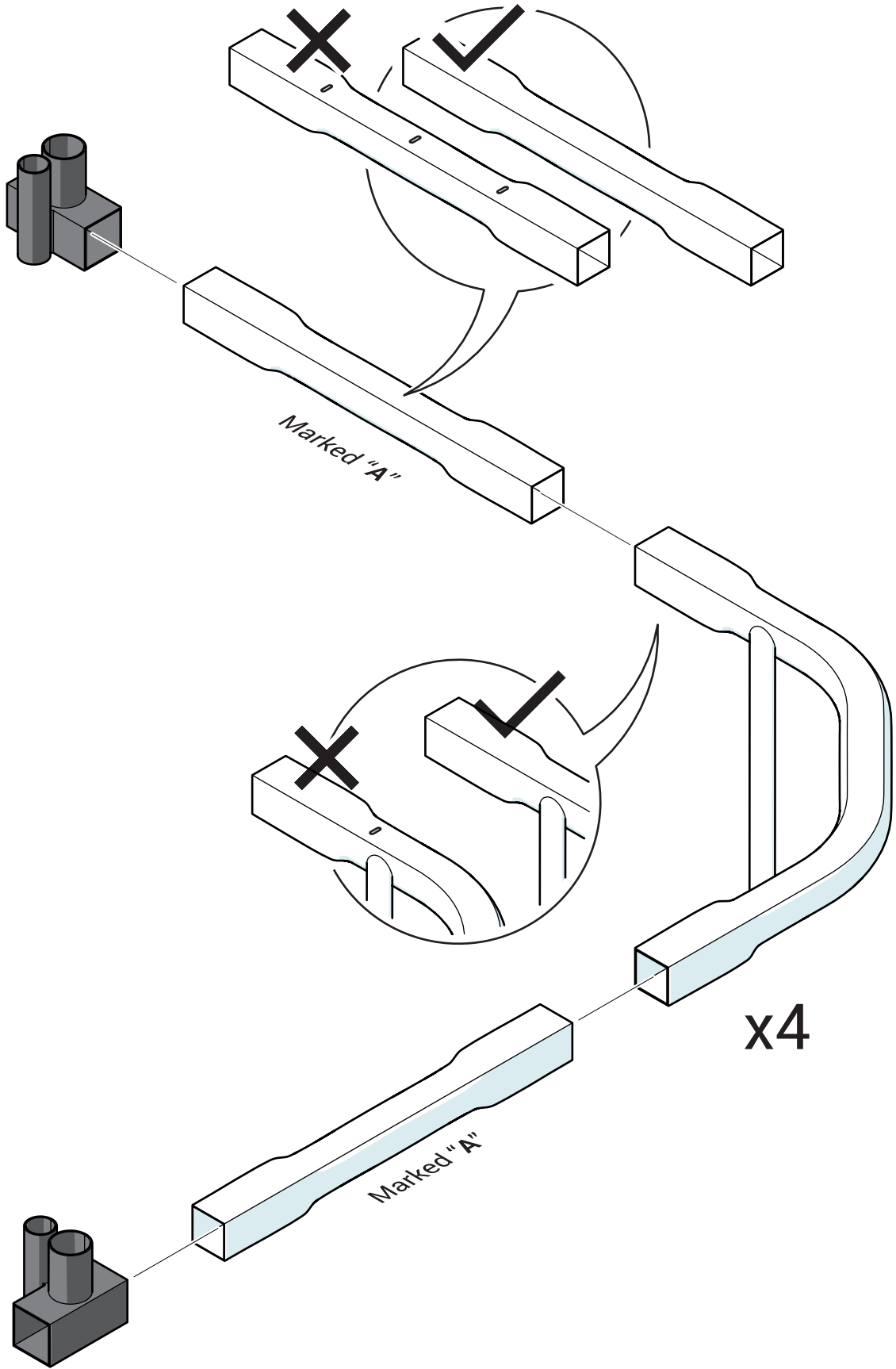


x16
(box 1)

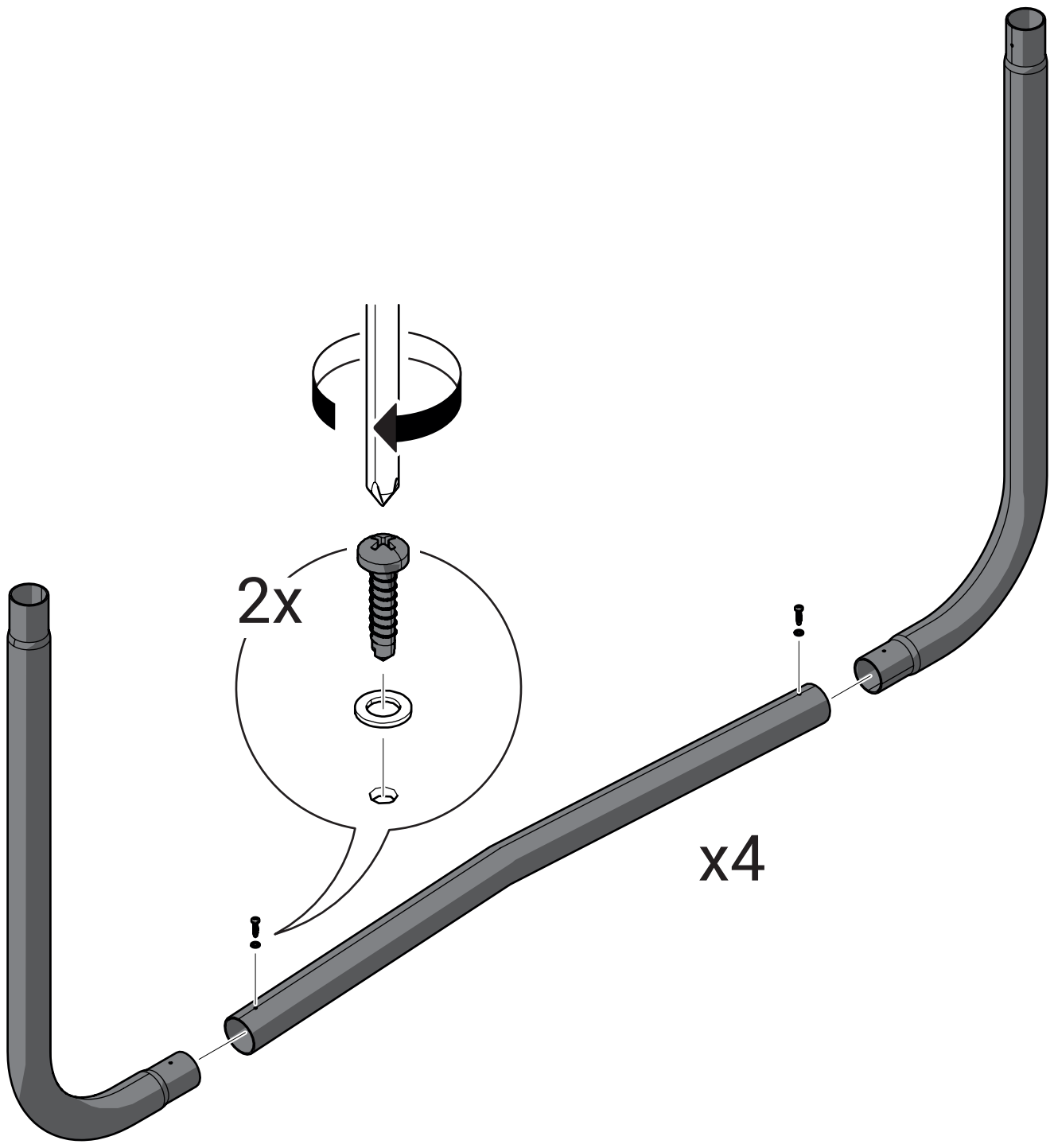


x8
(box 2)

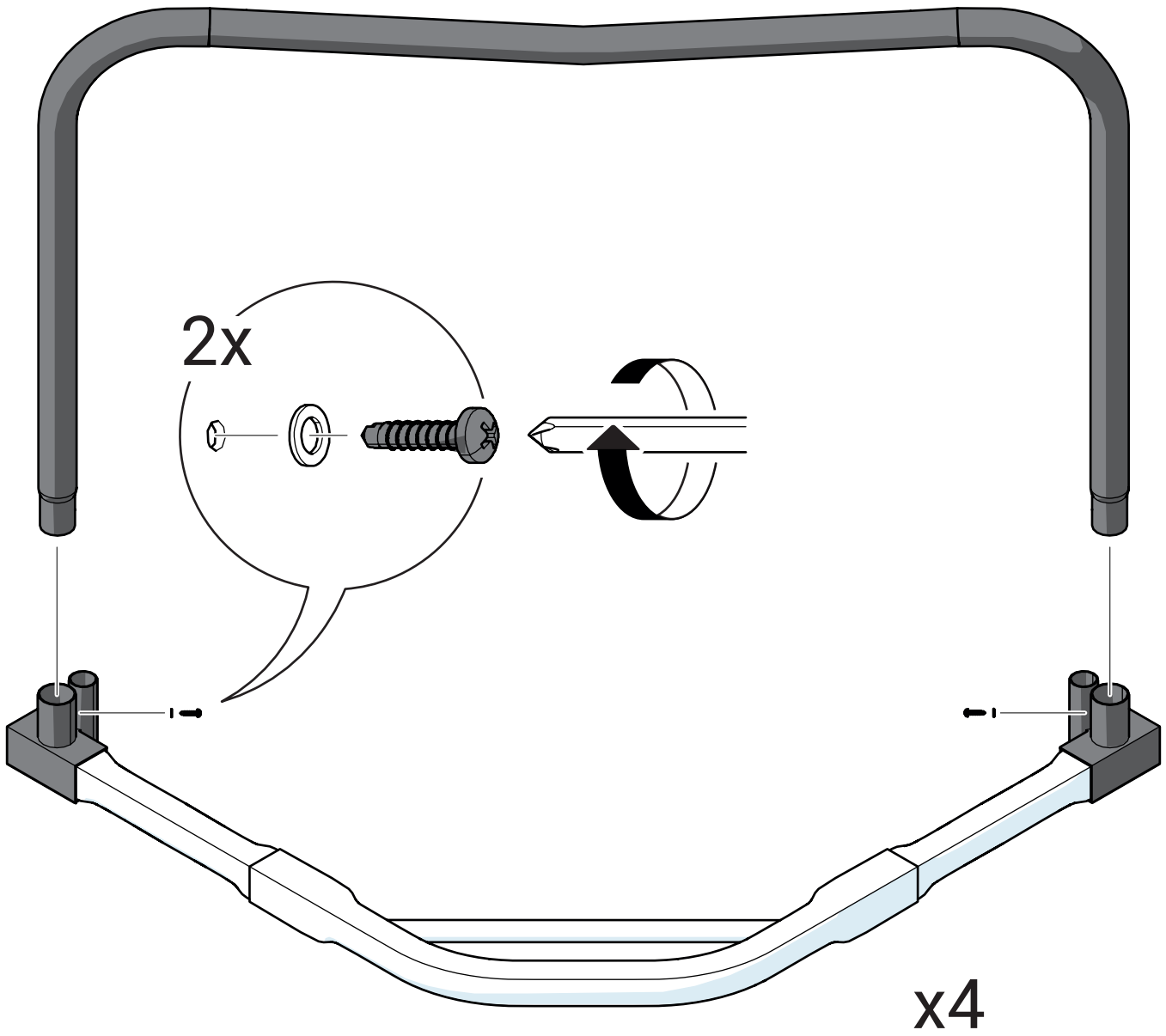
1



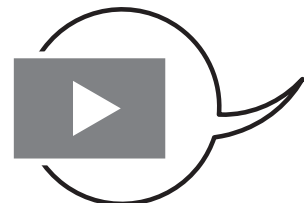
2

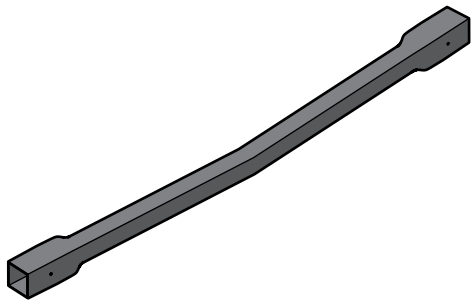
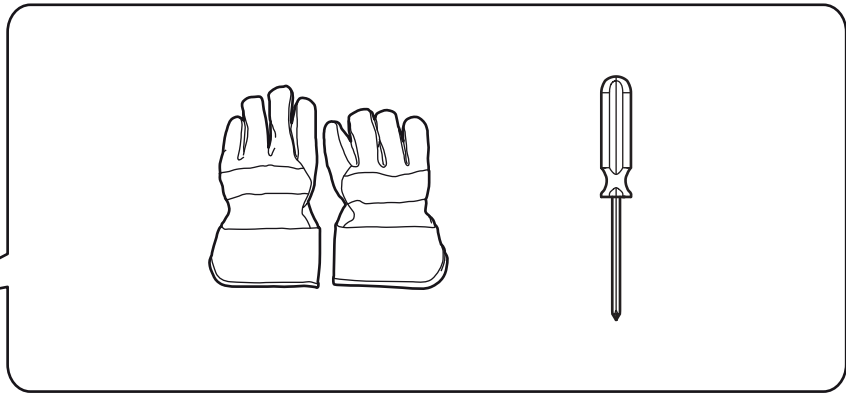
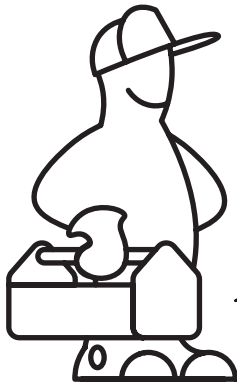


3

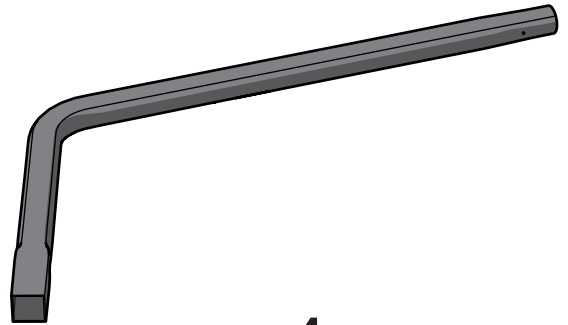


ASSEMBLE THE CENTRE SUPPORT SECTION

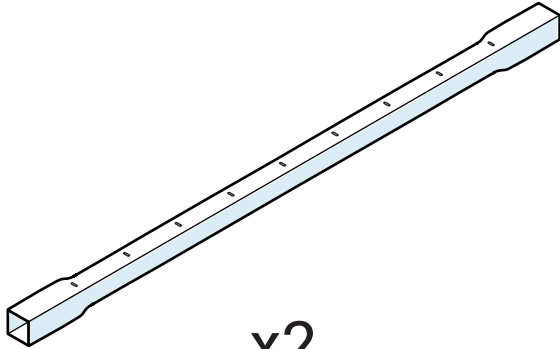




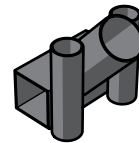
x2
(box 1 and 3)



x4
(box 1 and 3)



x2
(box 3)

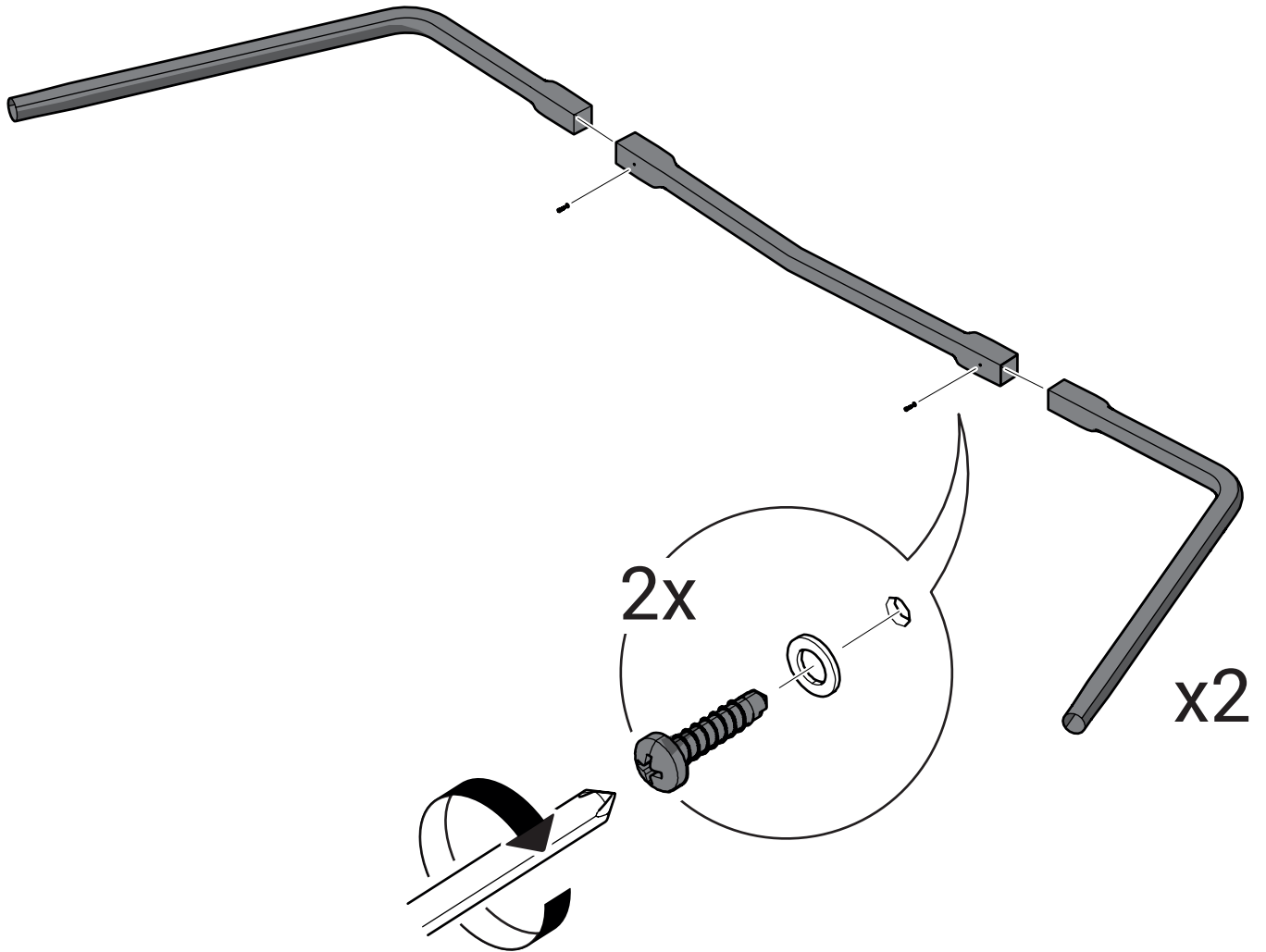


x4
(box 1 and box 3)

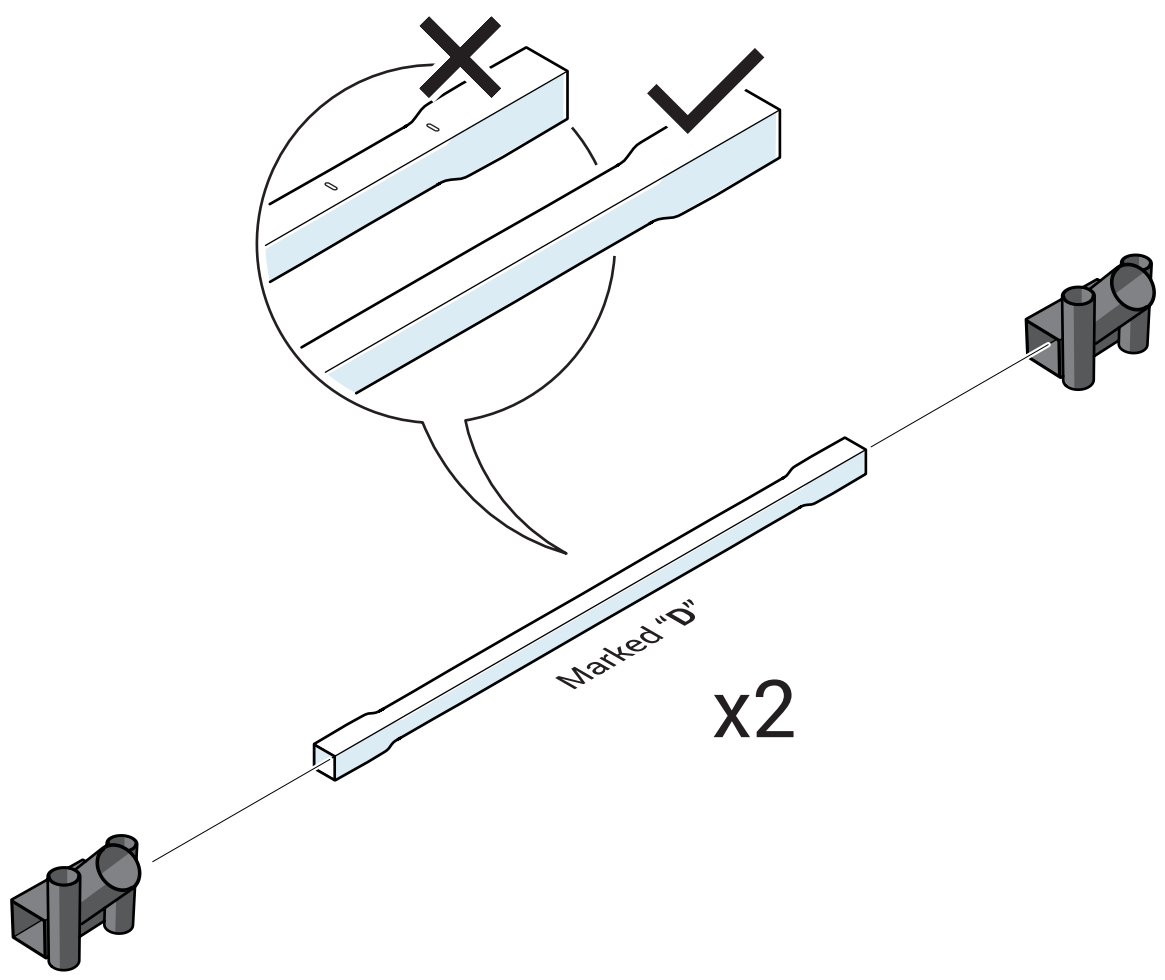


x8
(box 1)

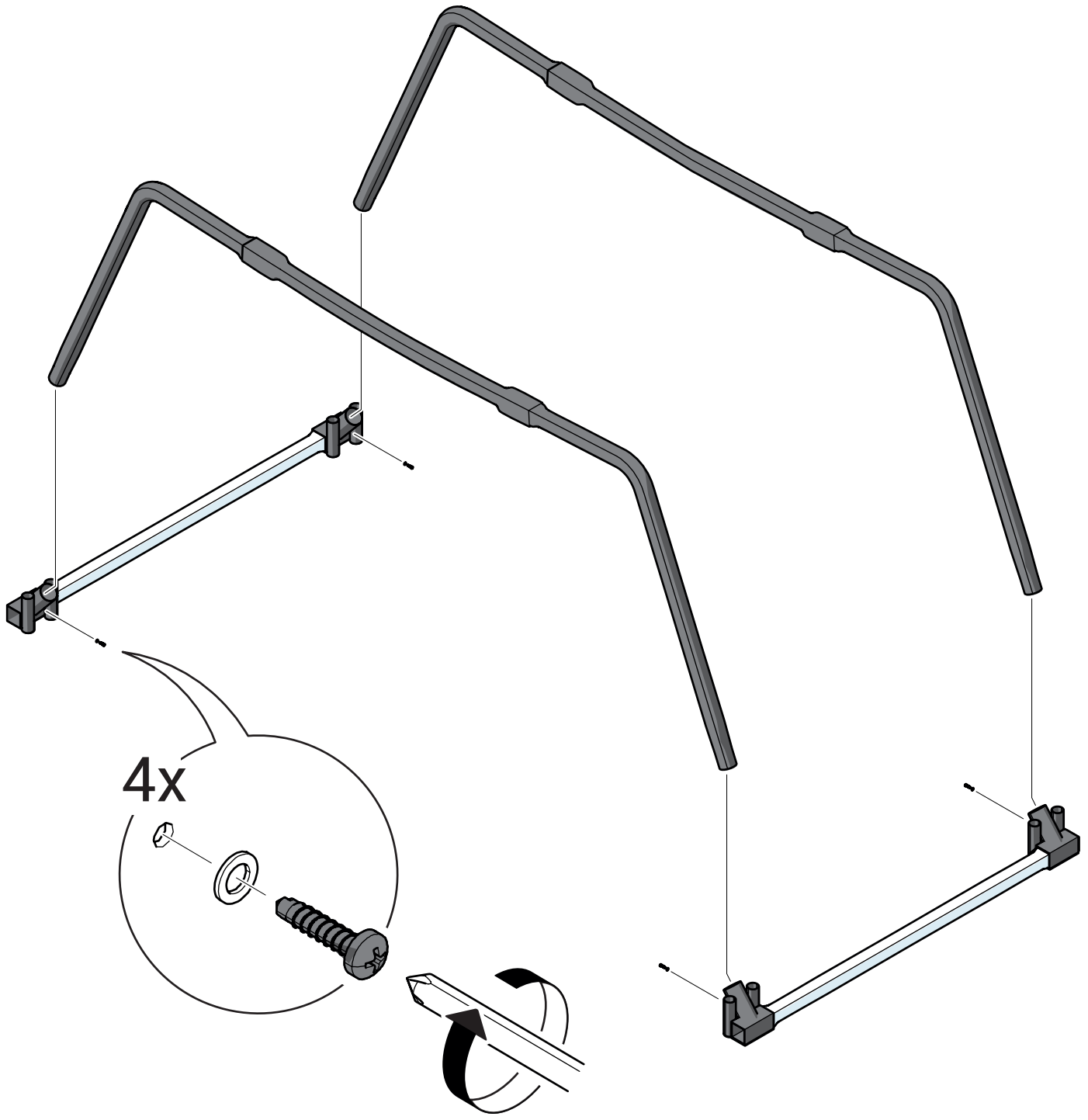
1



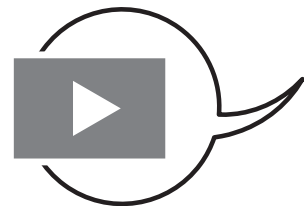
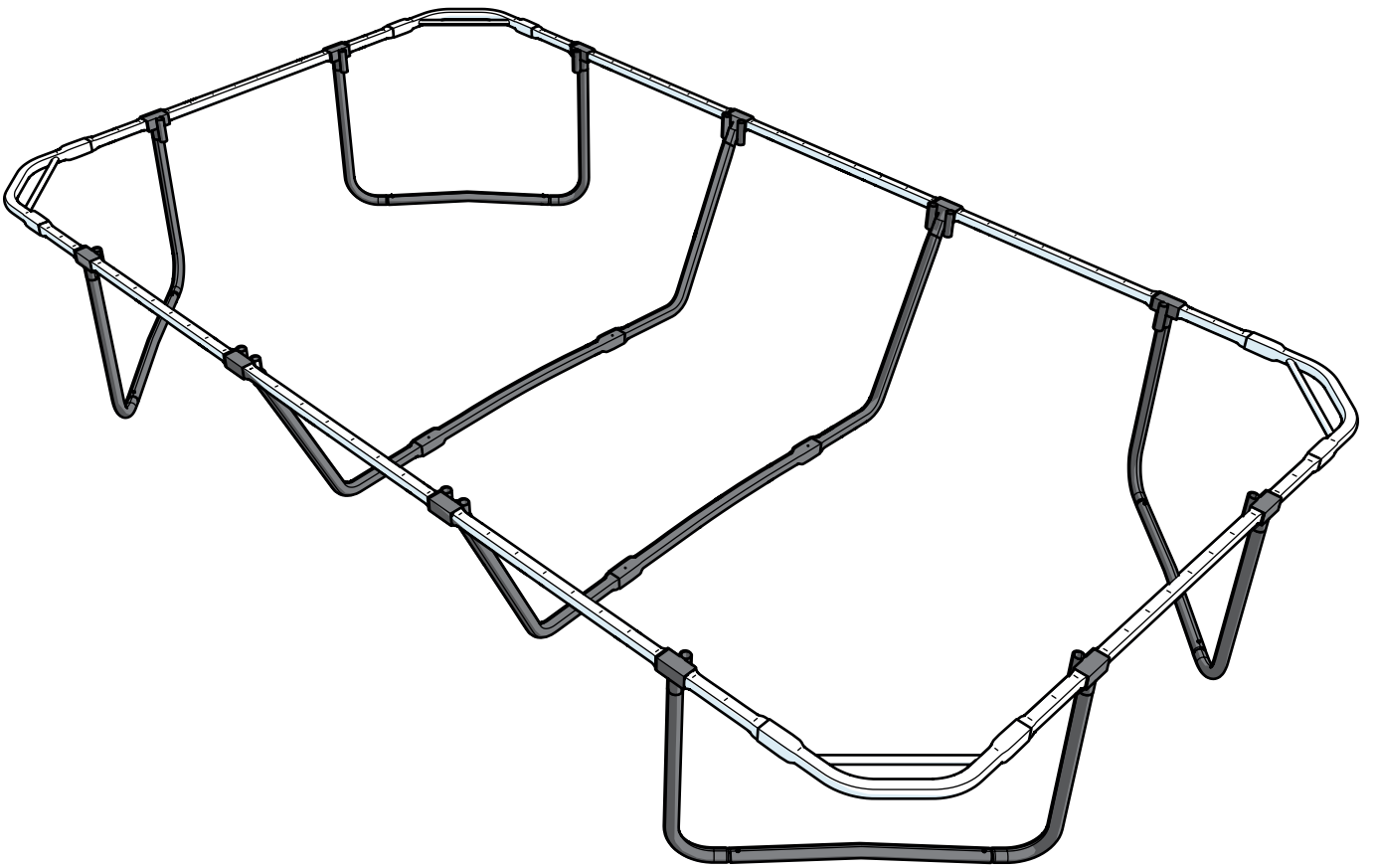
2

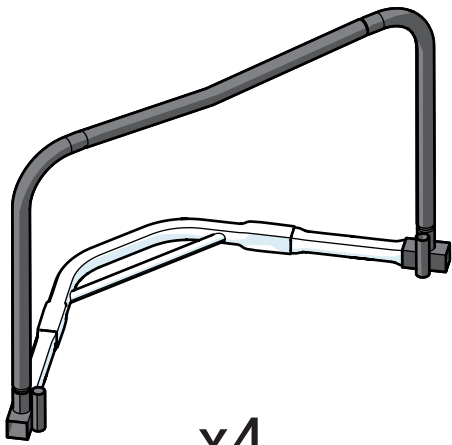
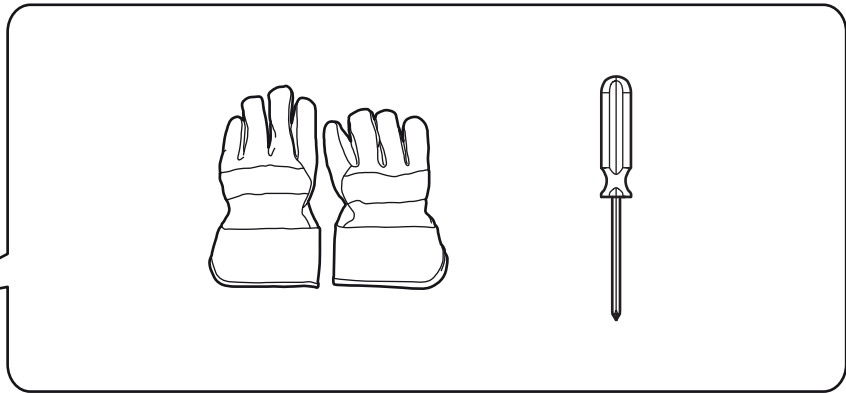
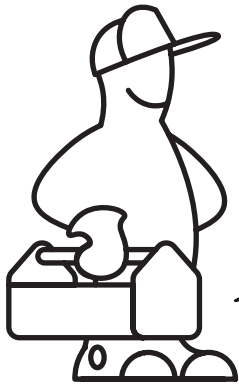


3

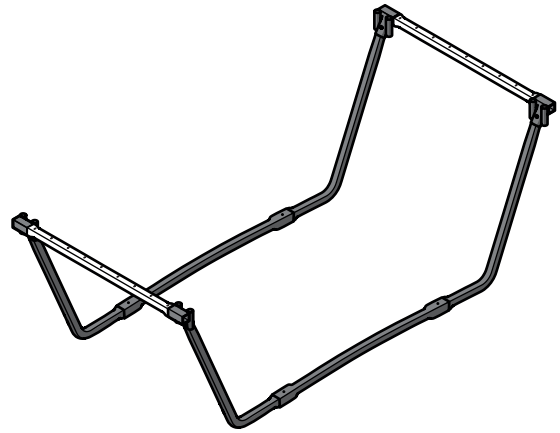


ASSEMBLE THE FRAME

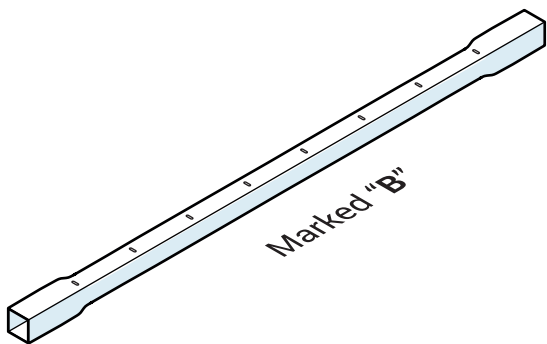




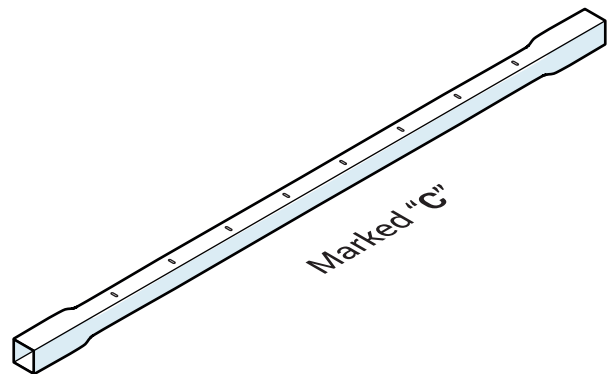
x4



x1

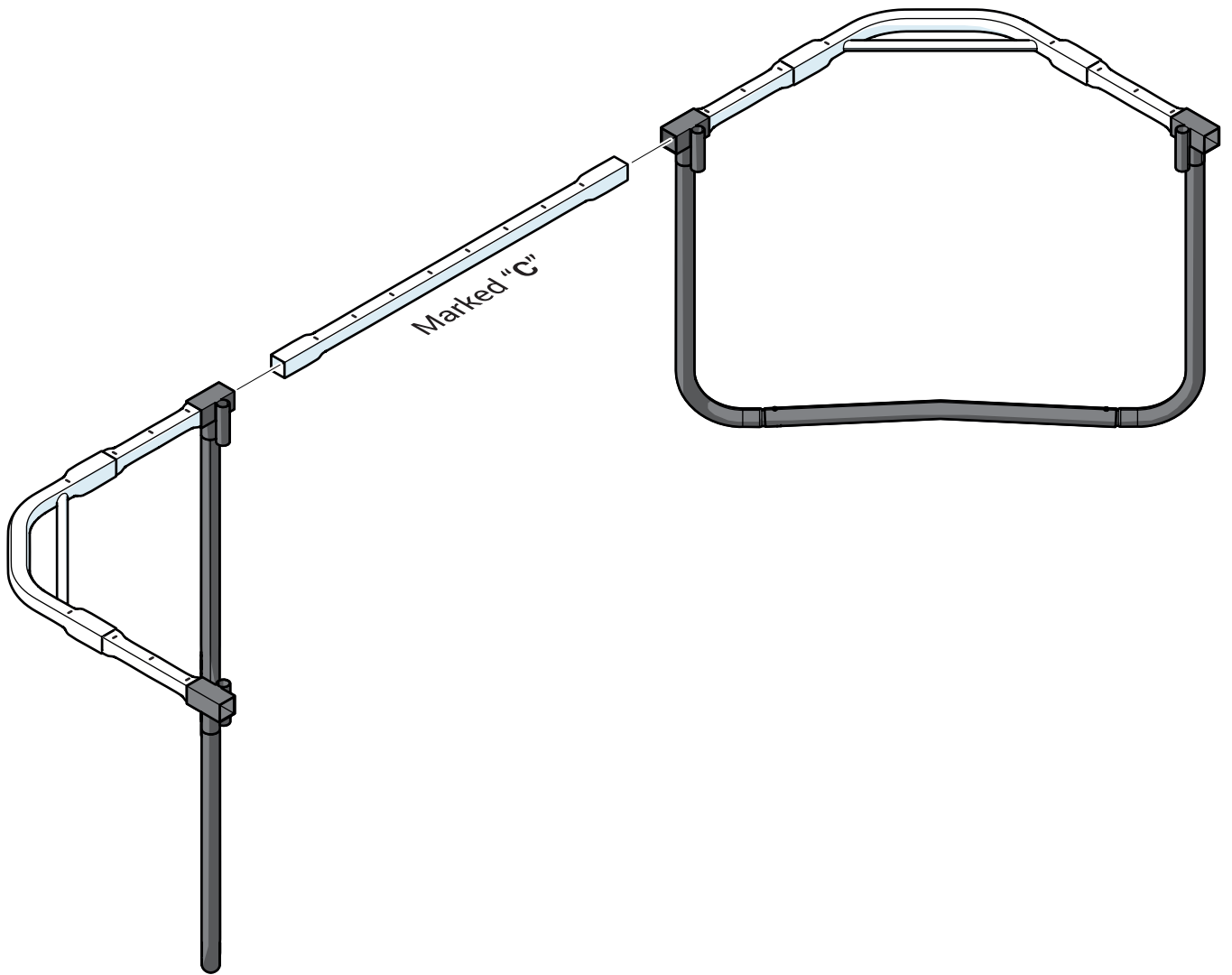


x4
(box 3)

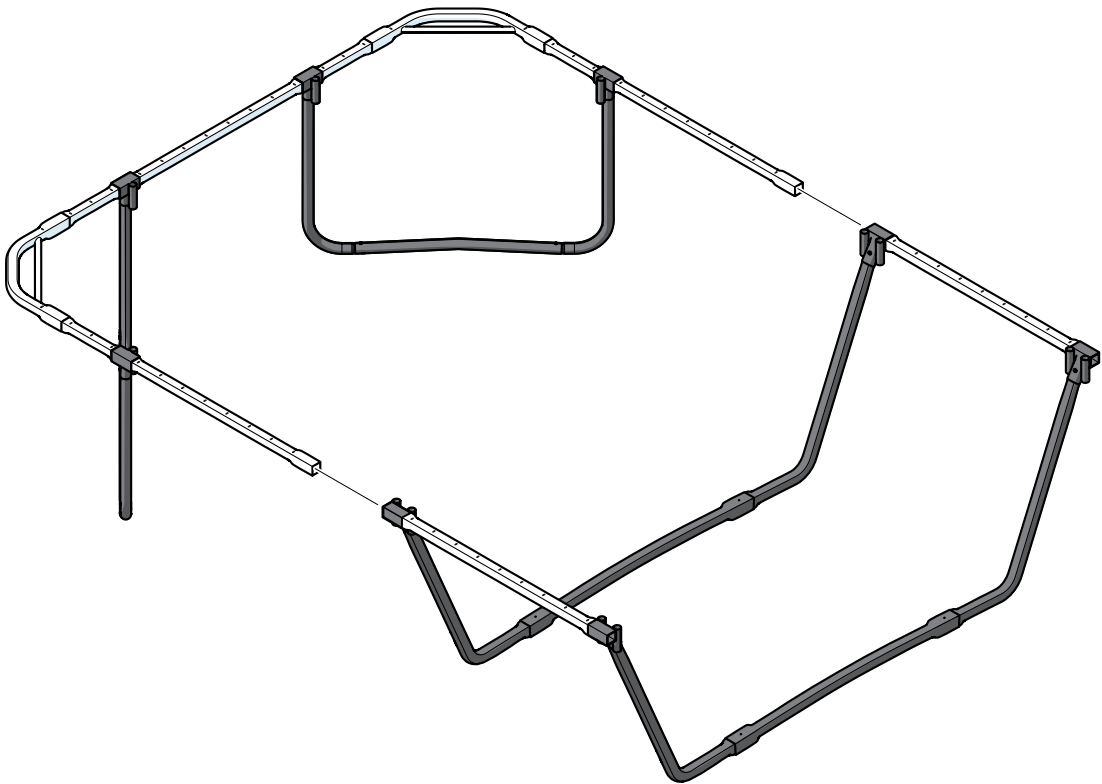
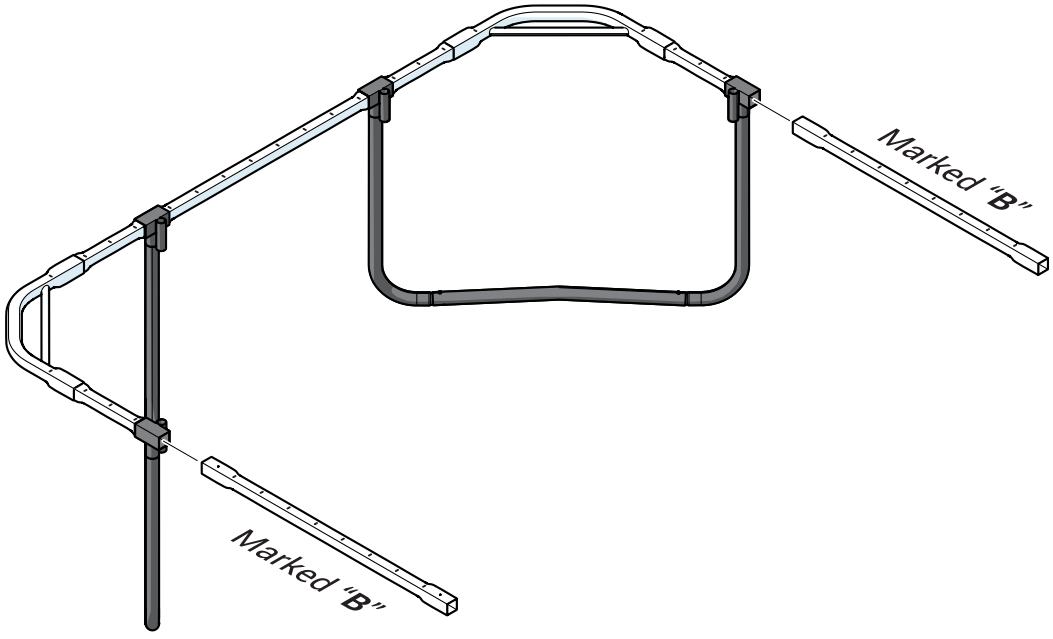


x2
(box 2)

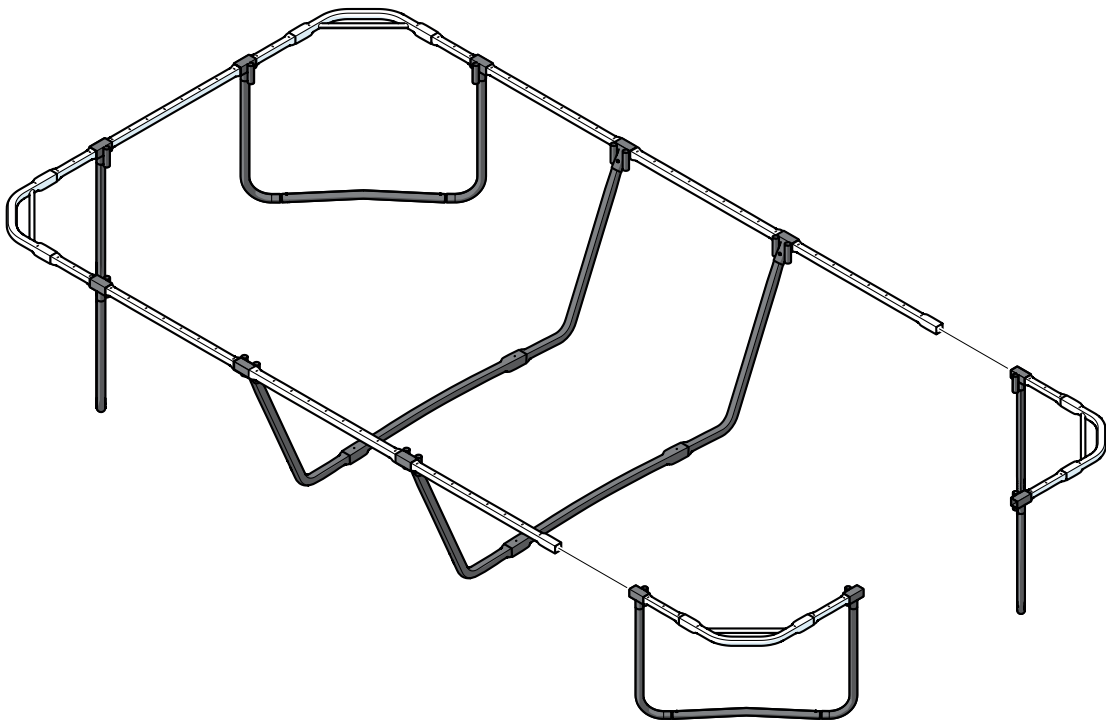
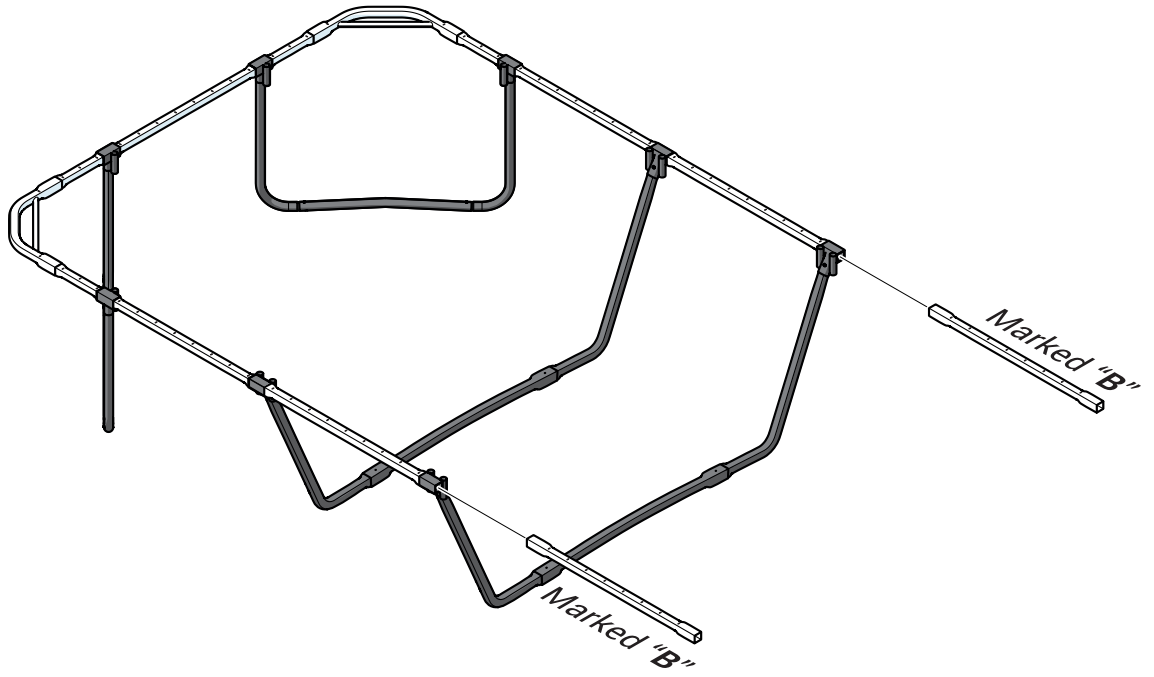
1



2

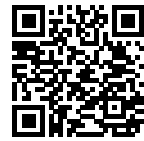


3

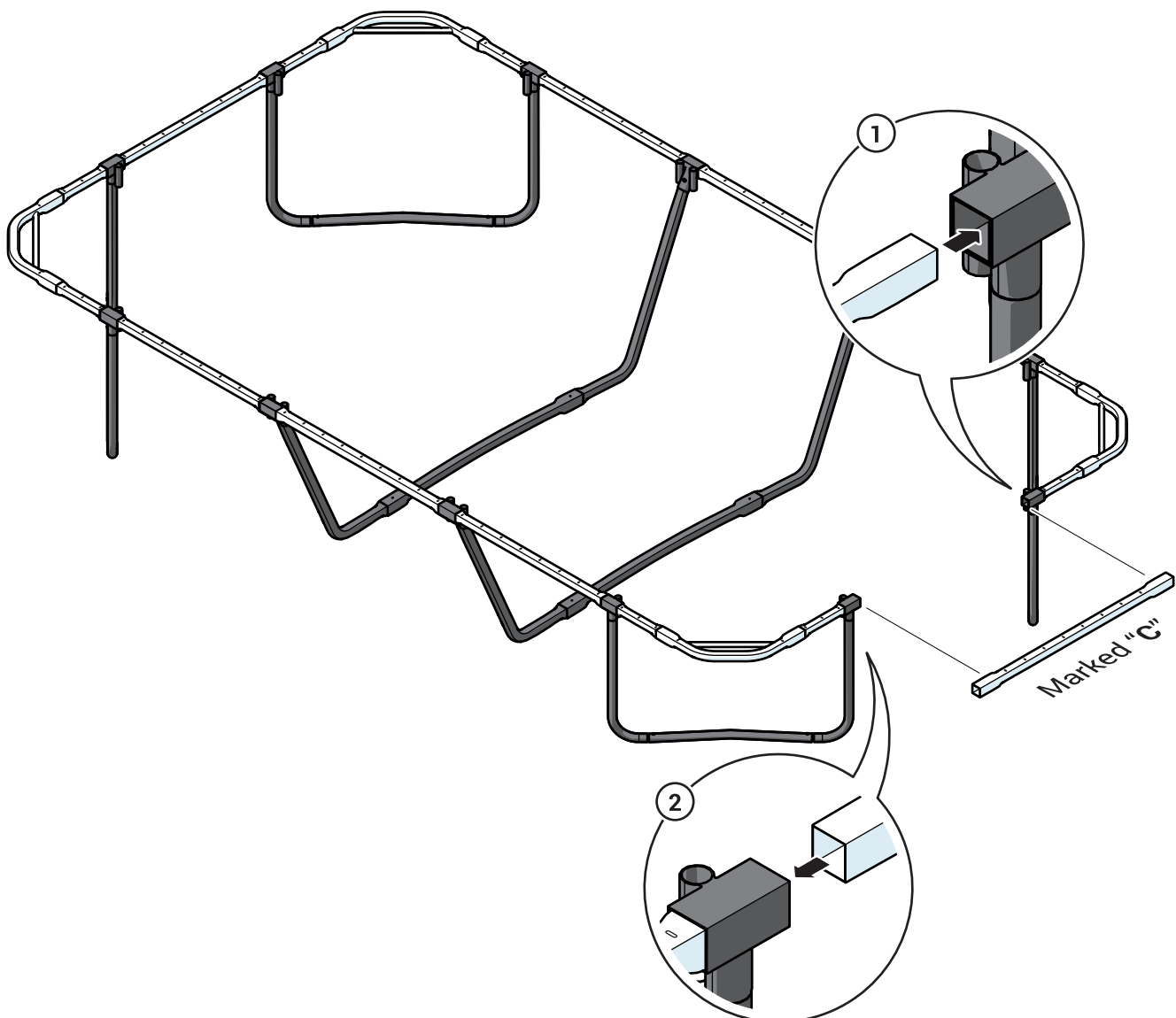


4

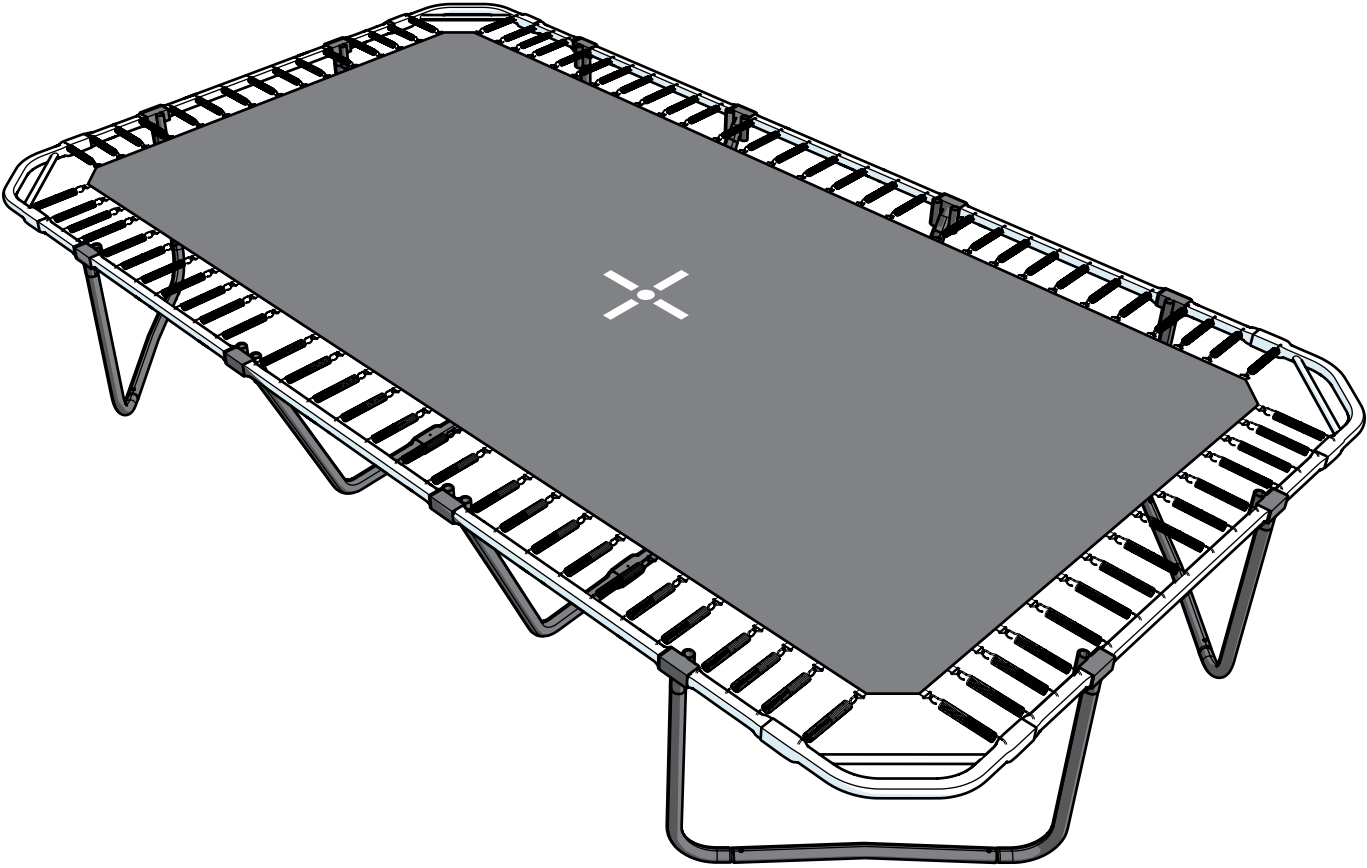
Tip. The last part/connection can sometimes be a little more difficult to get completely in place but it usually loosens itself when the jumping bed is tightened. If this does not happen automatically, a rubber hammer can be used to hit the clutch a little so that it slowly jumps into place.

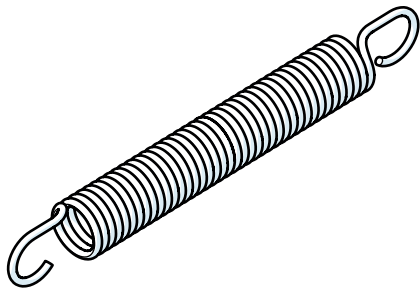
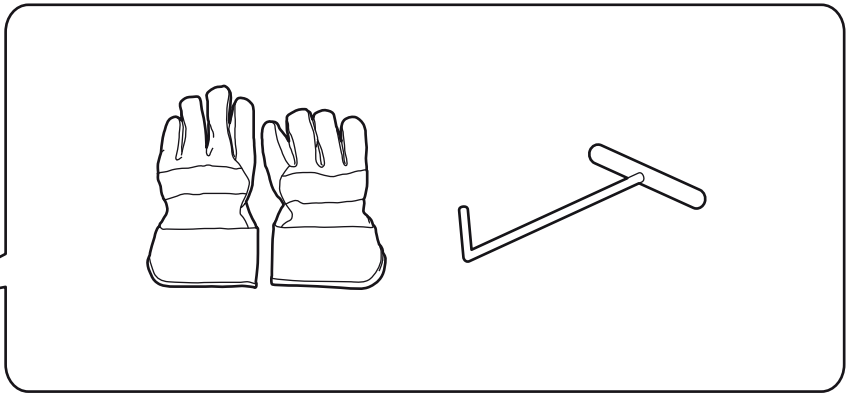
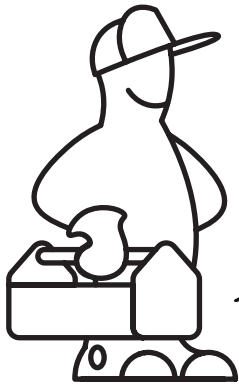


How to close the frame with the bed.

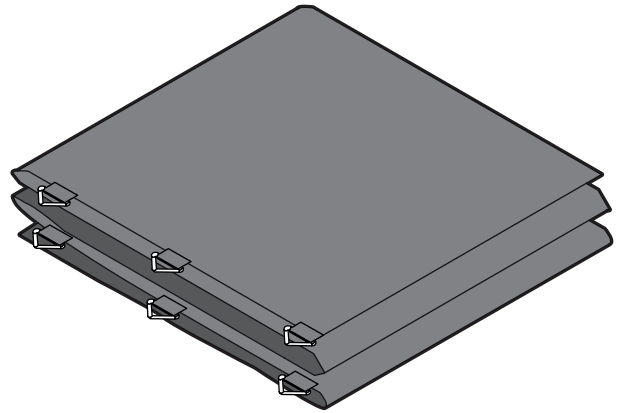


ATTACH THE BED



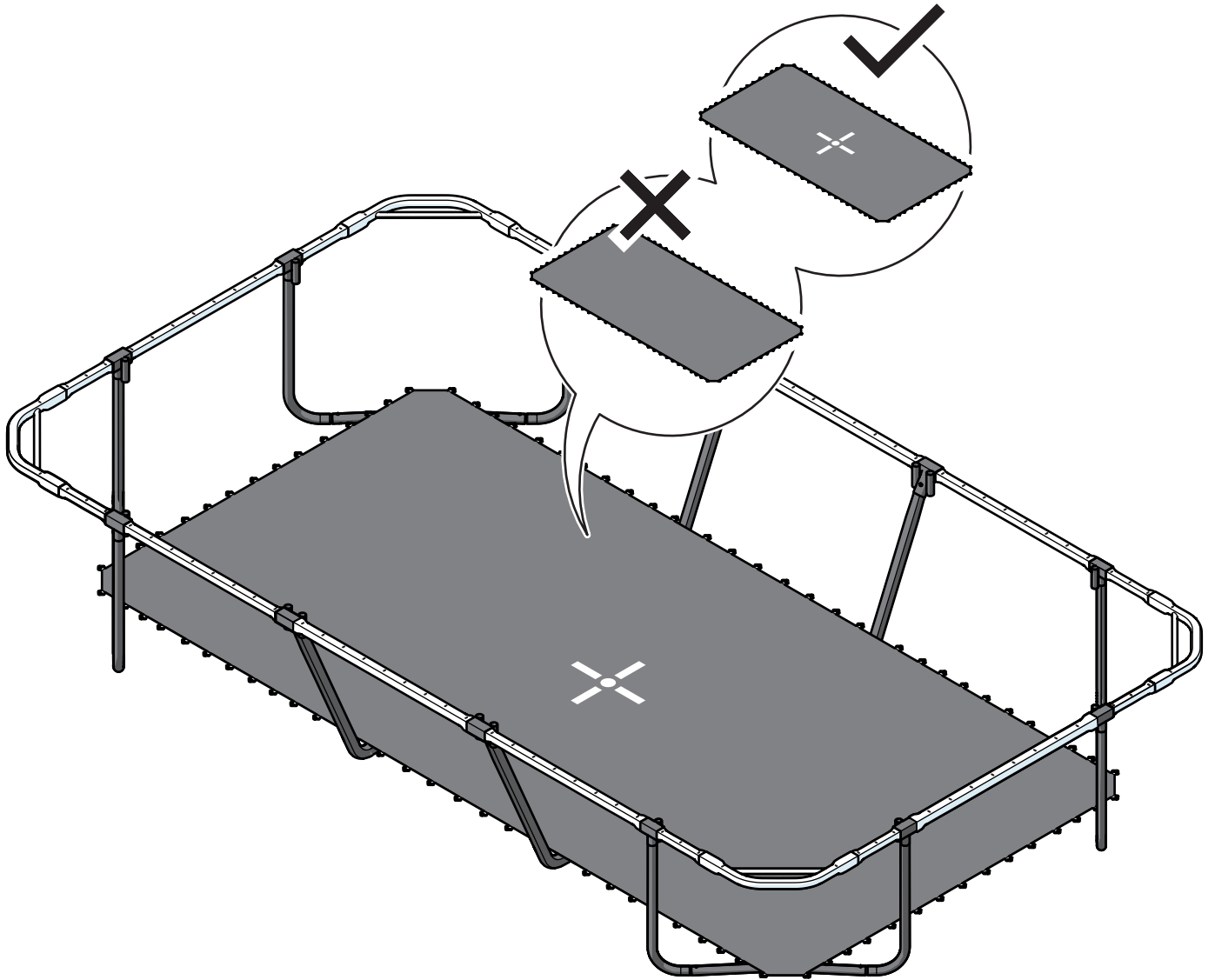


x98
(box 3)

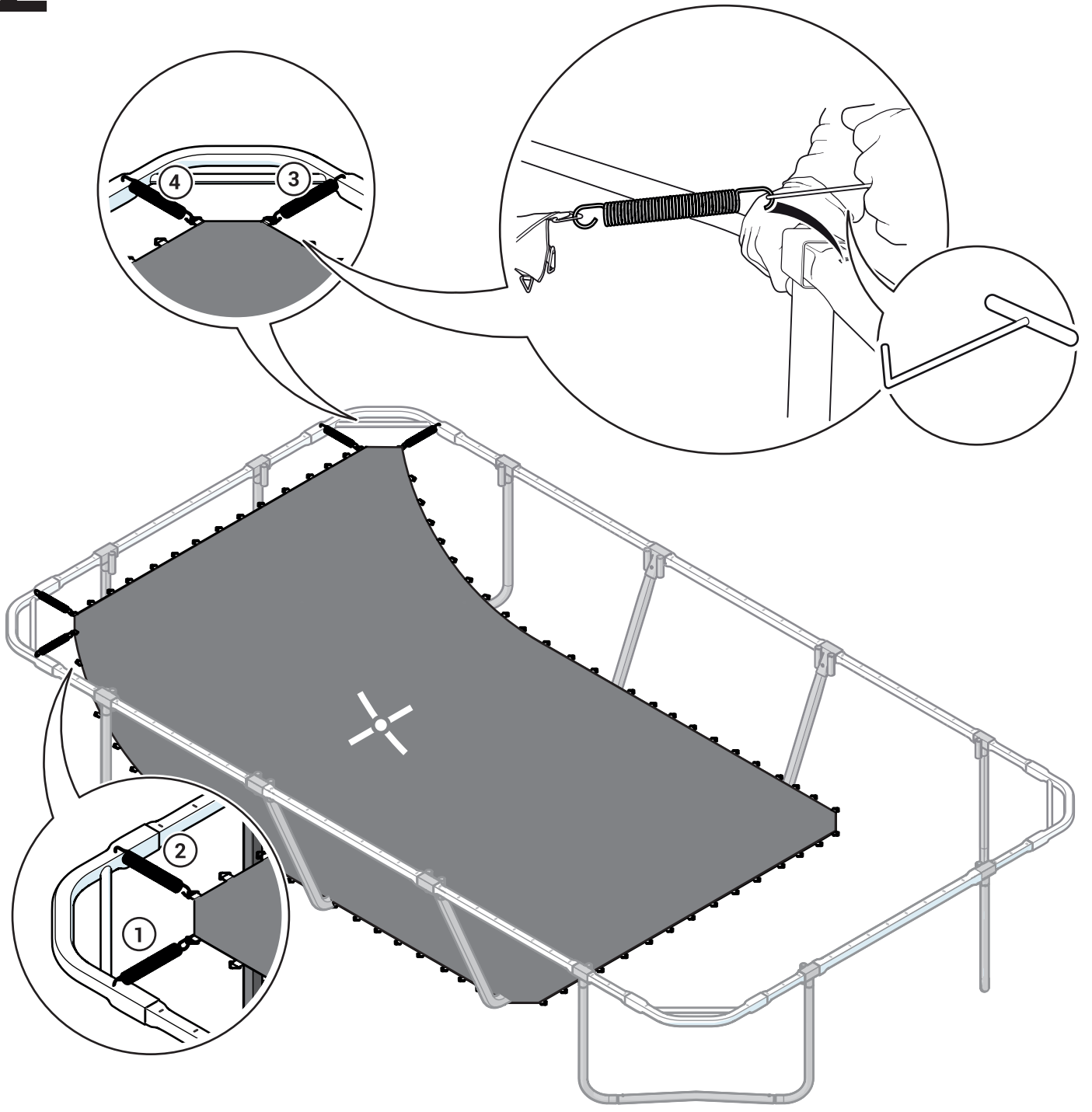


x1
(box 3)

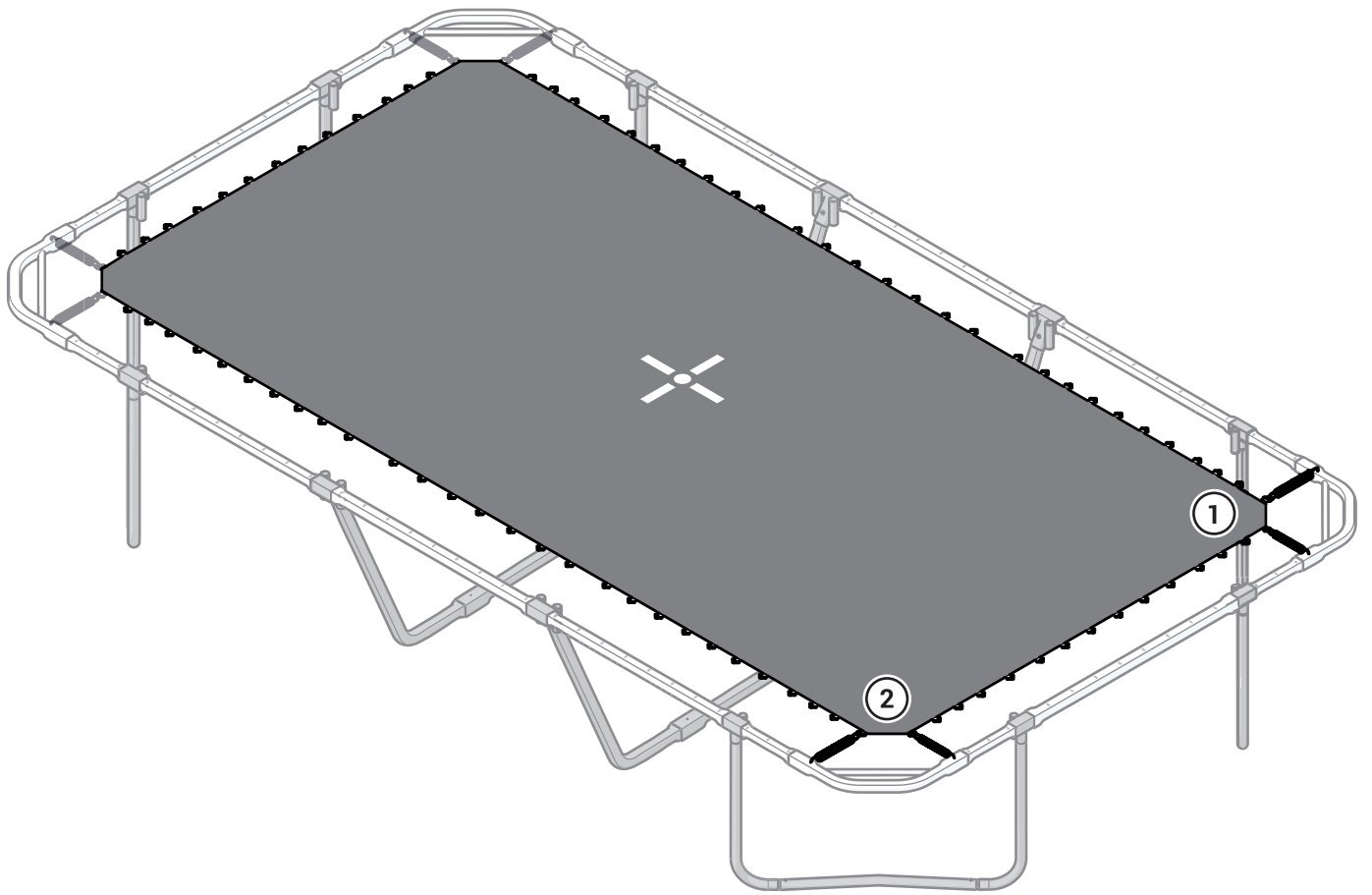
1



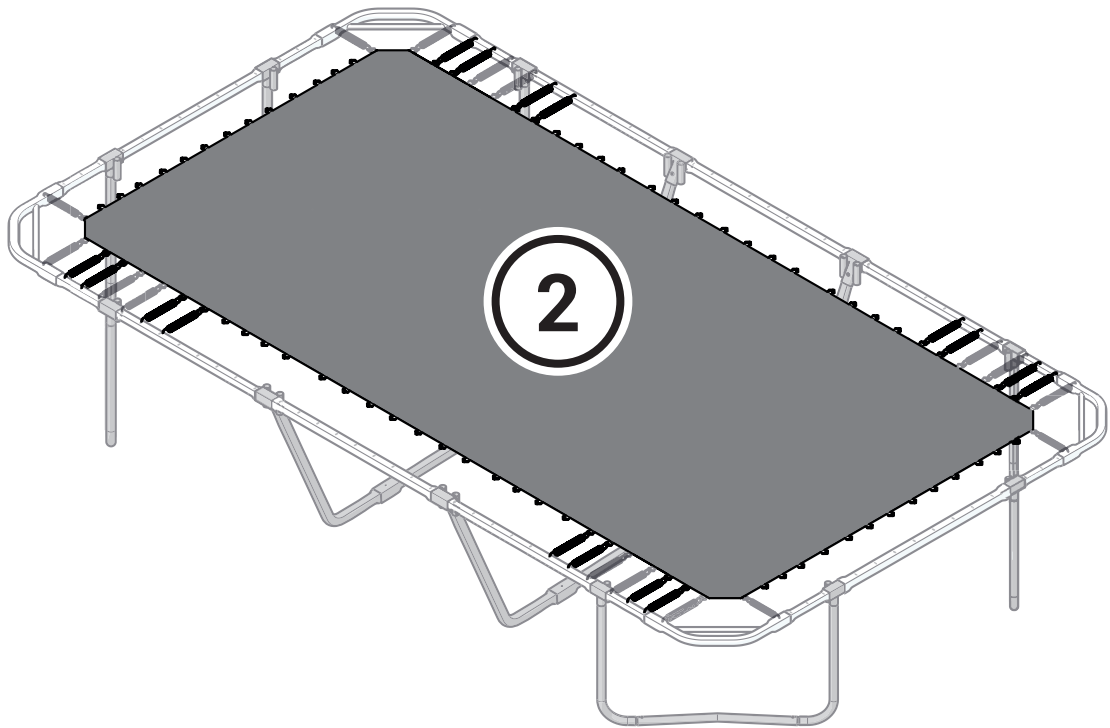
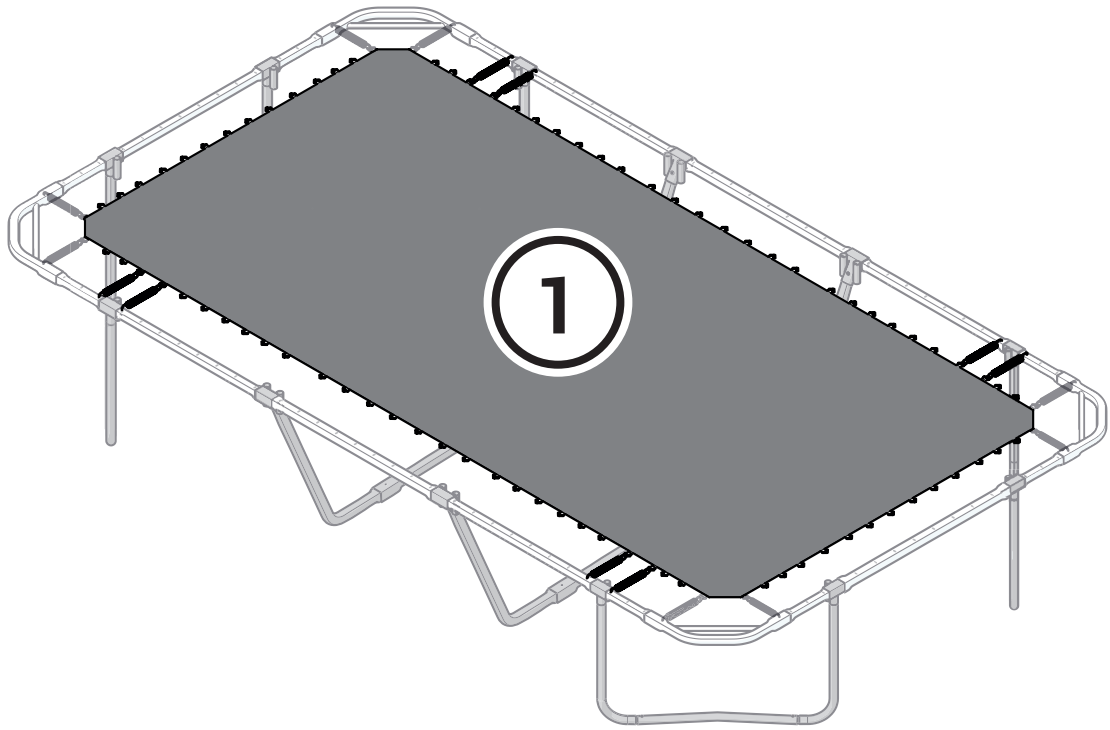
2



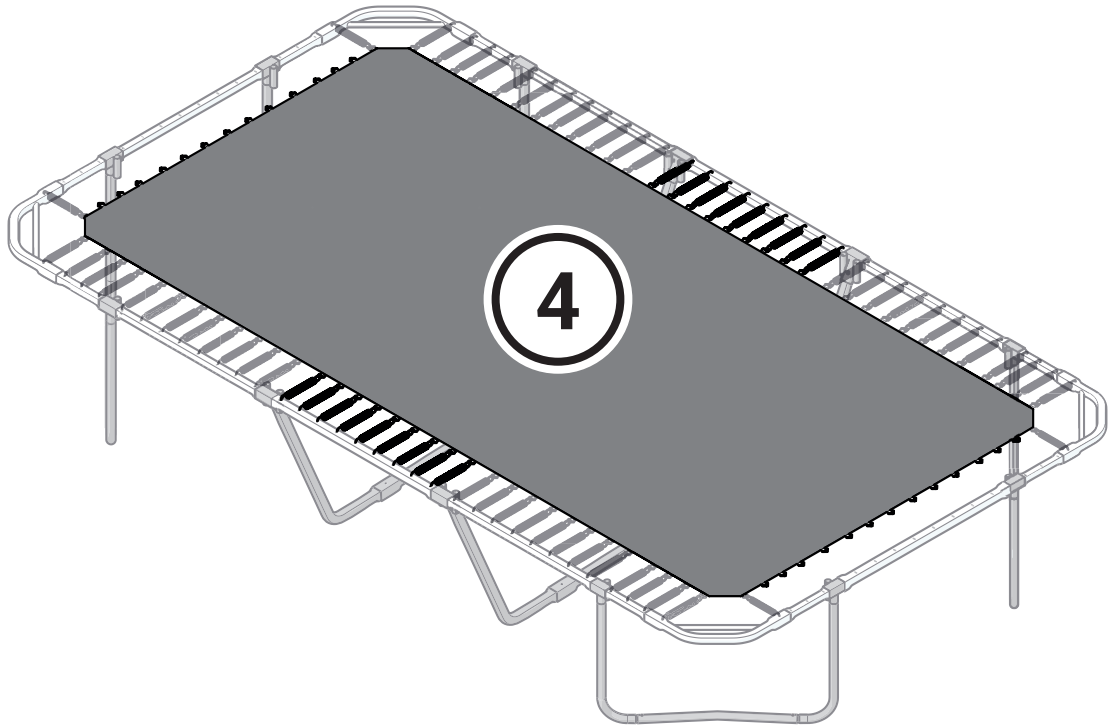
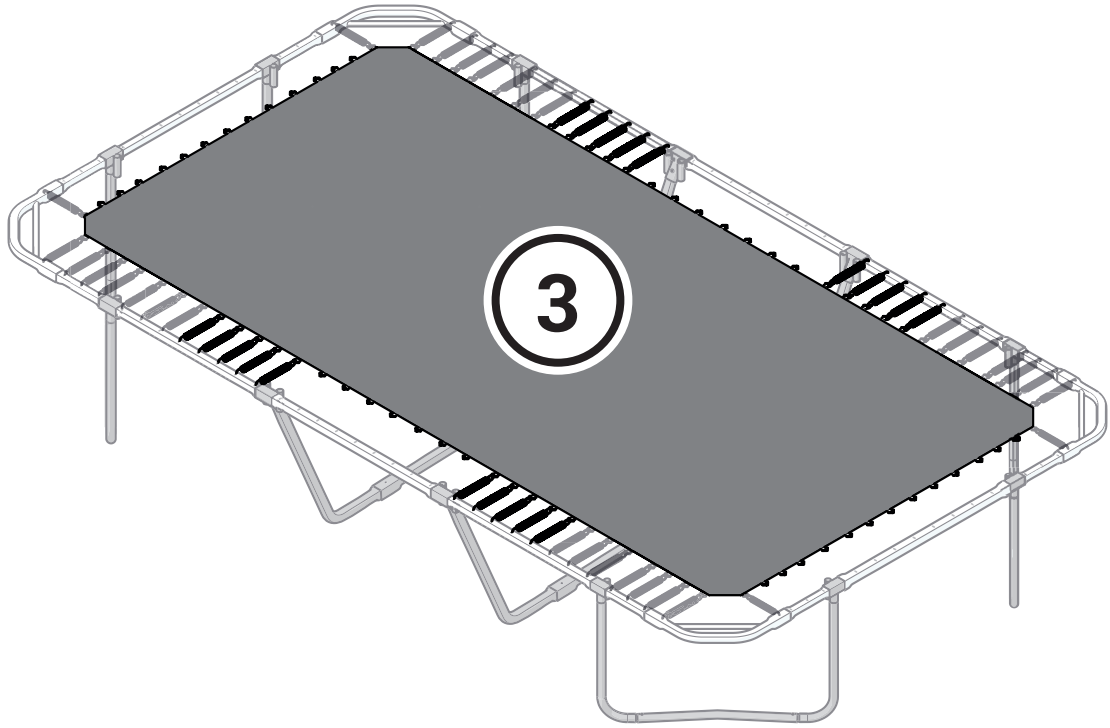
3



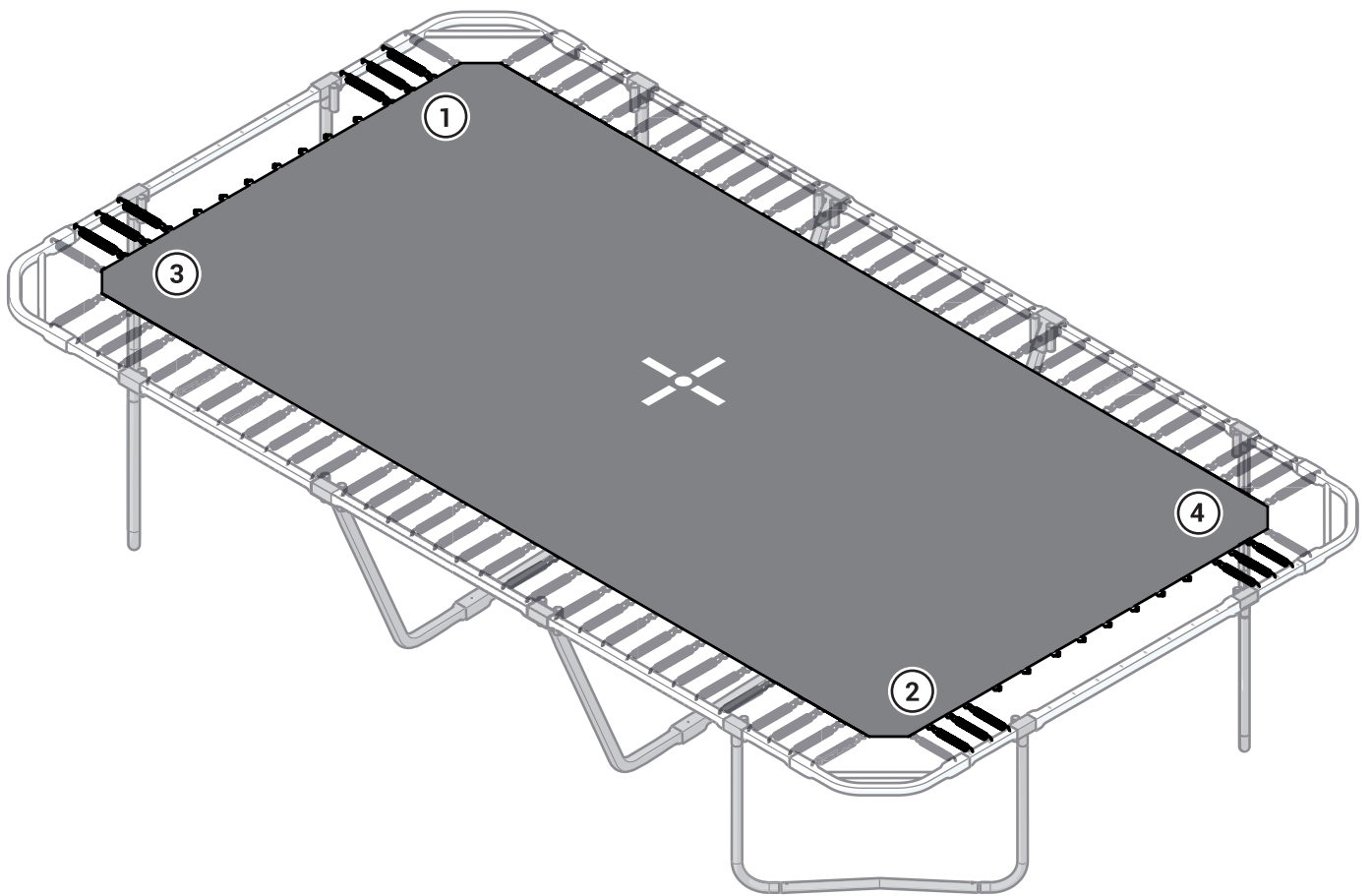
4



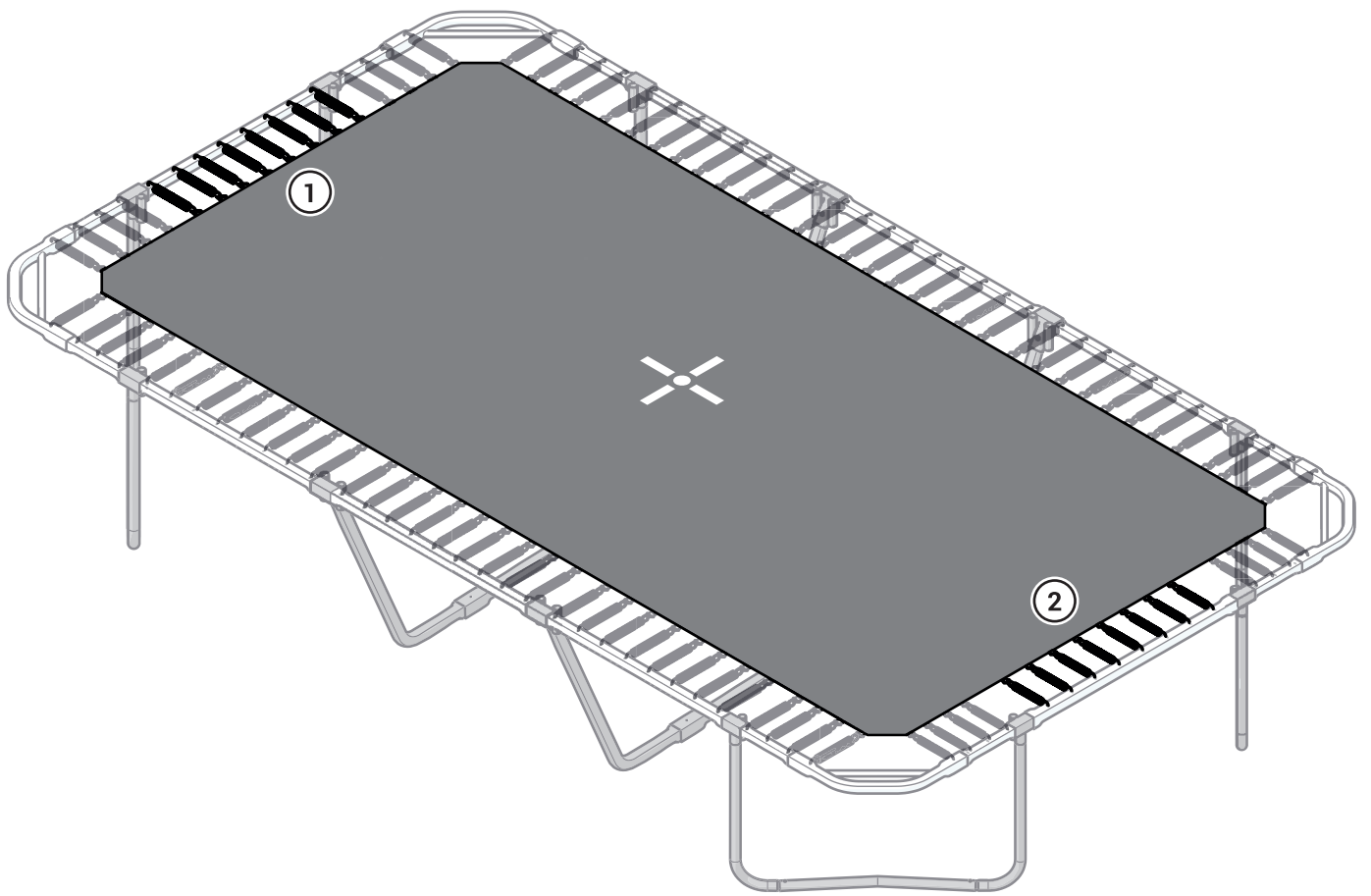
5



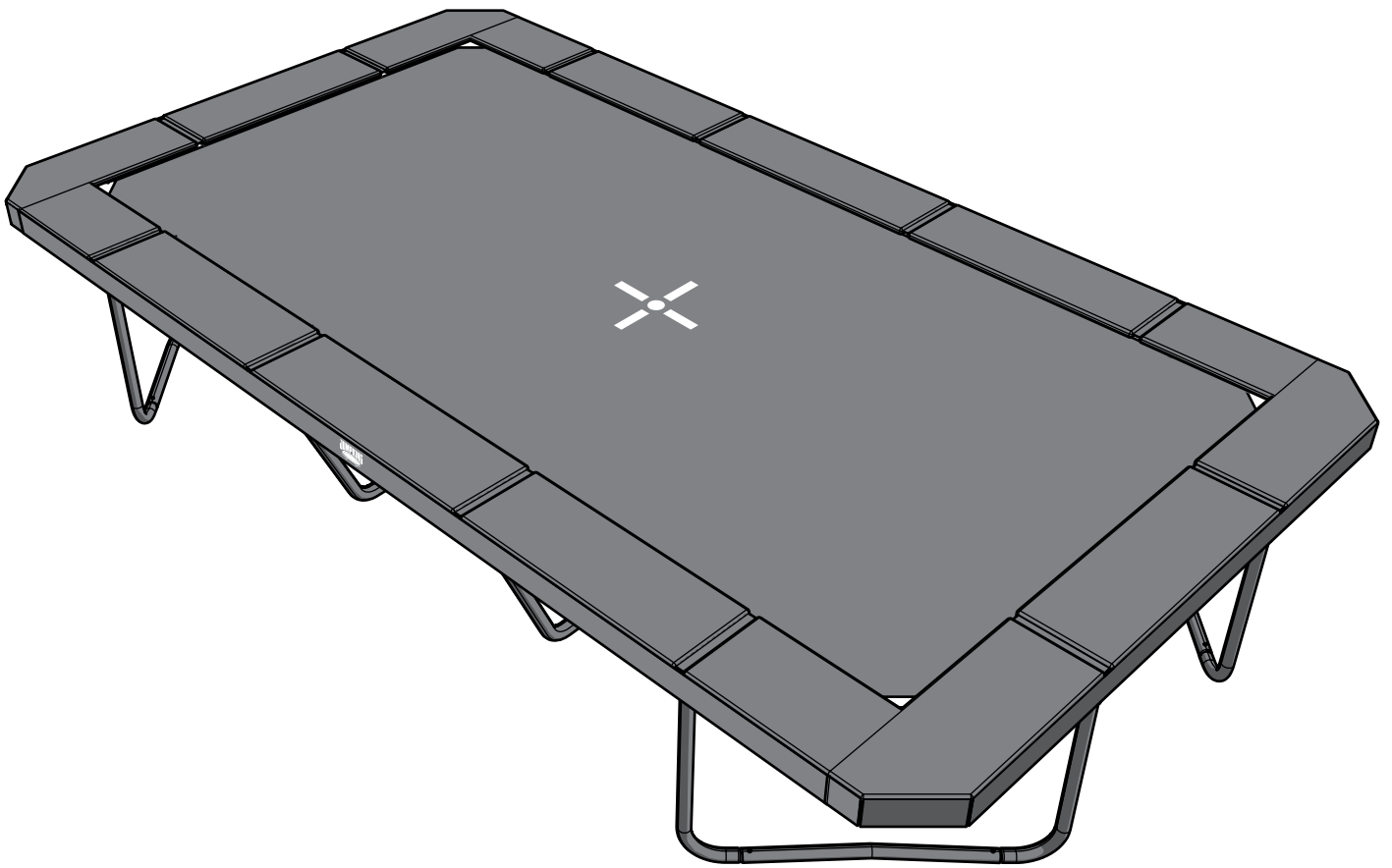
6

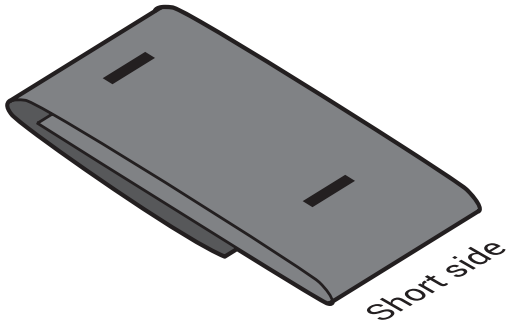
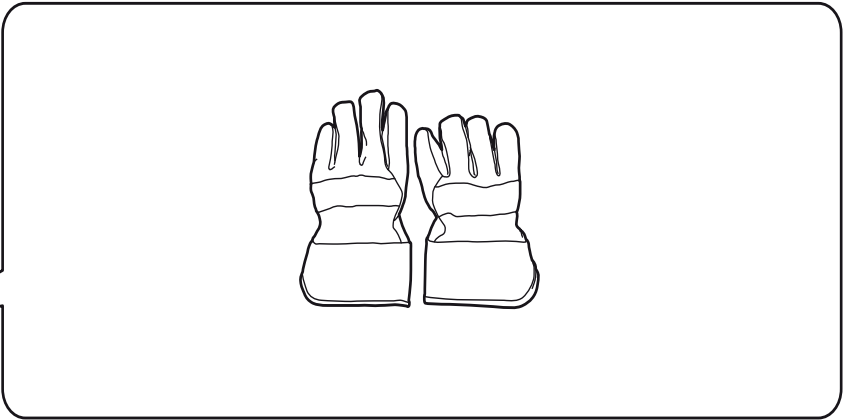
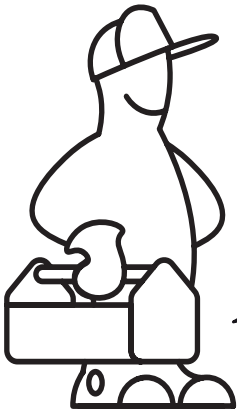


7

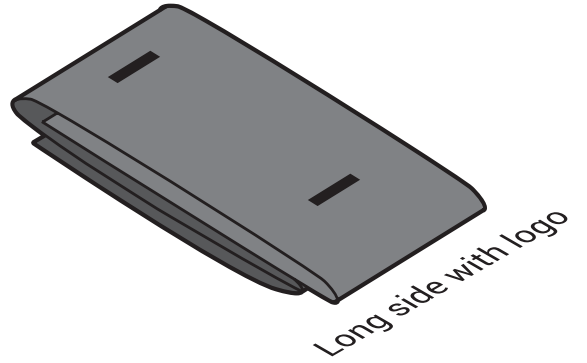


ATTACH THE FRAME PAD



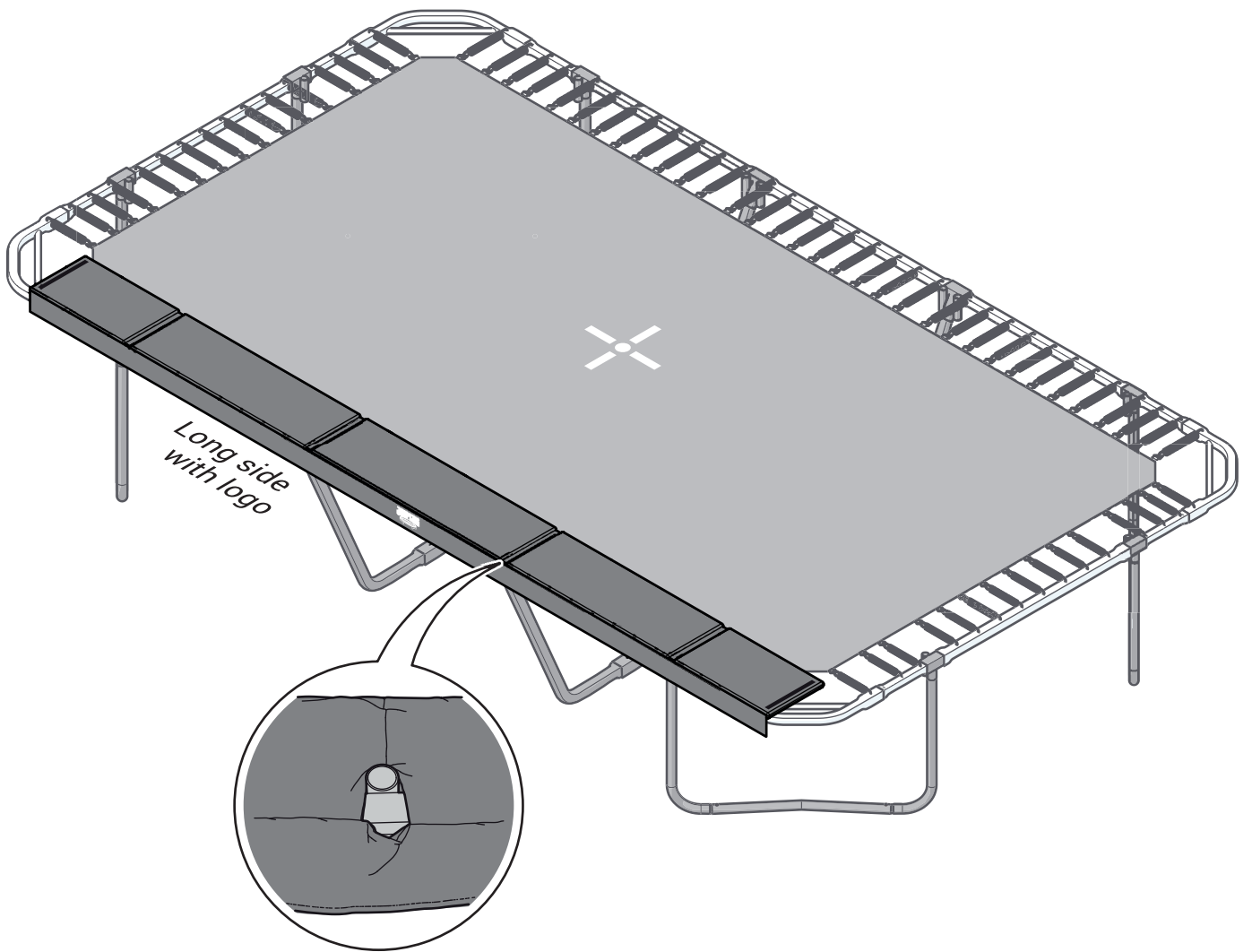


x2
(box 1)

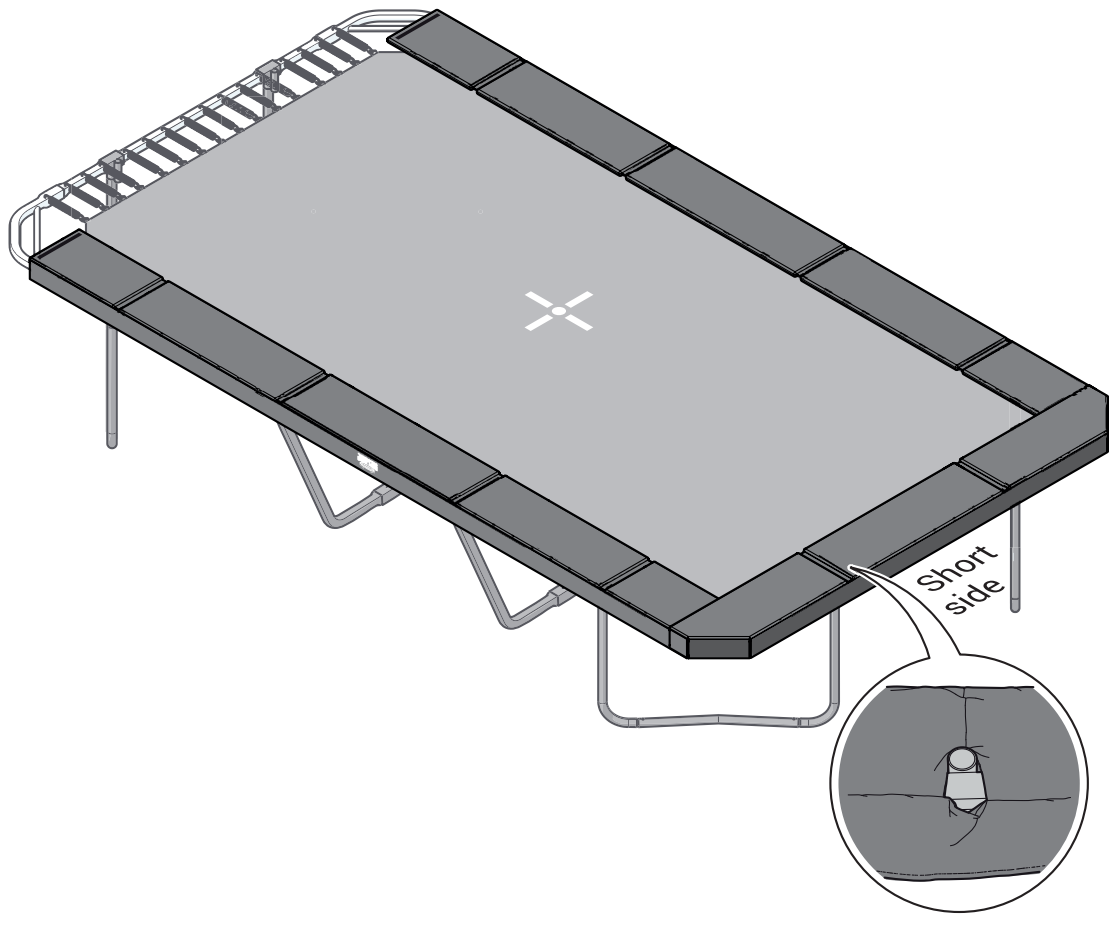
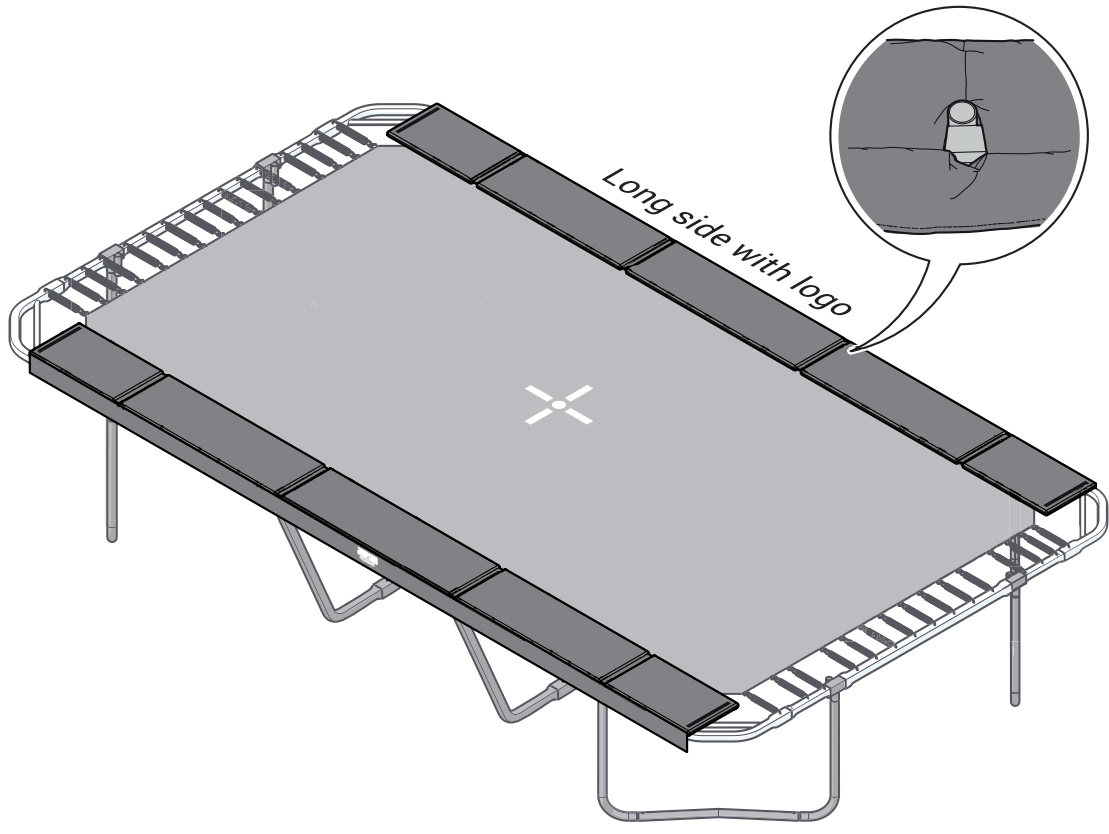


x2
(box 3)

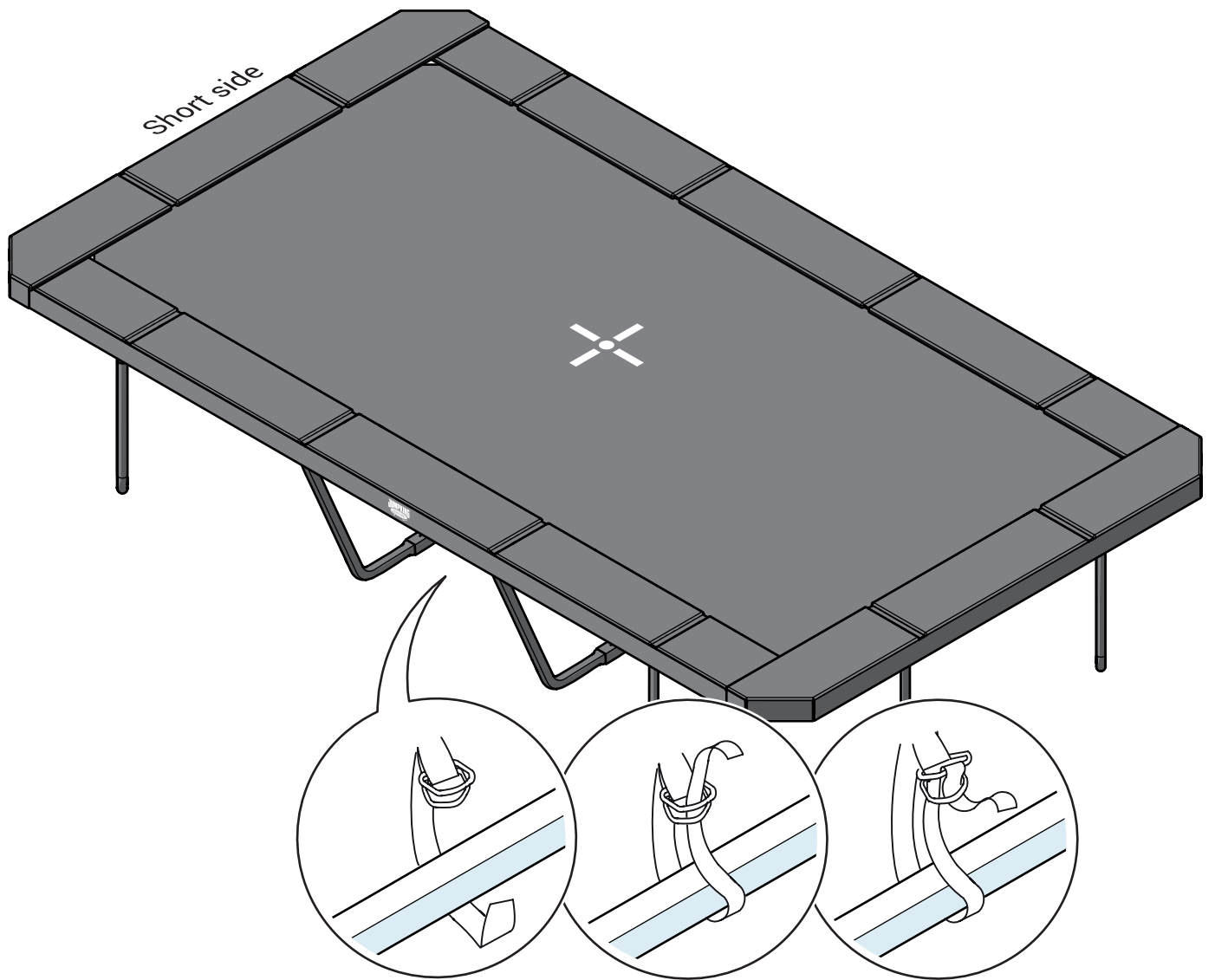
1



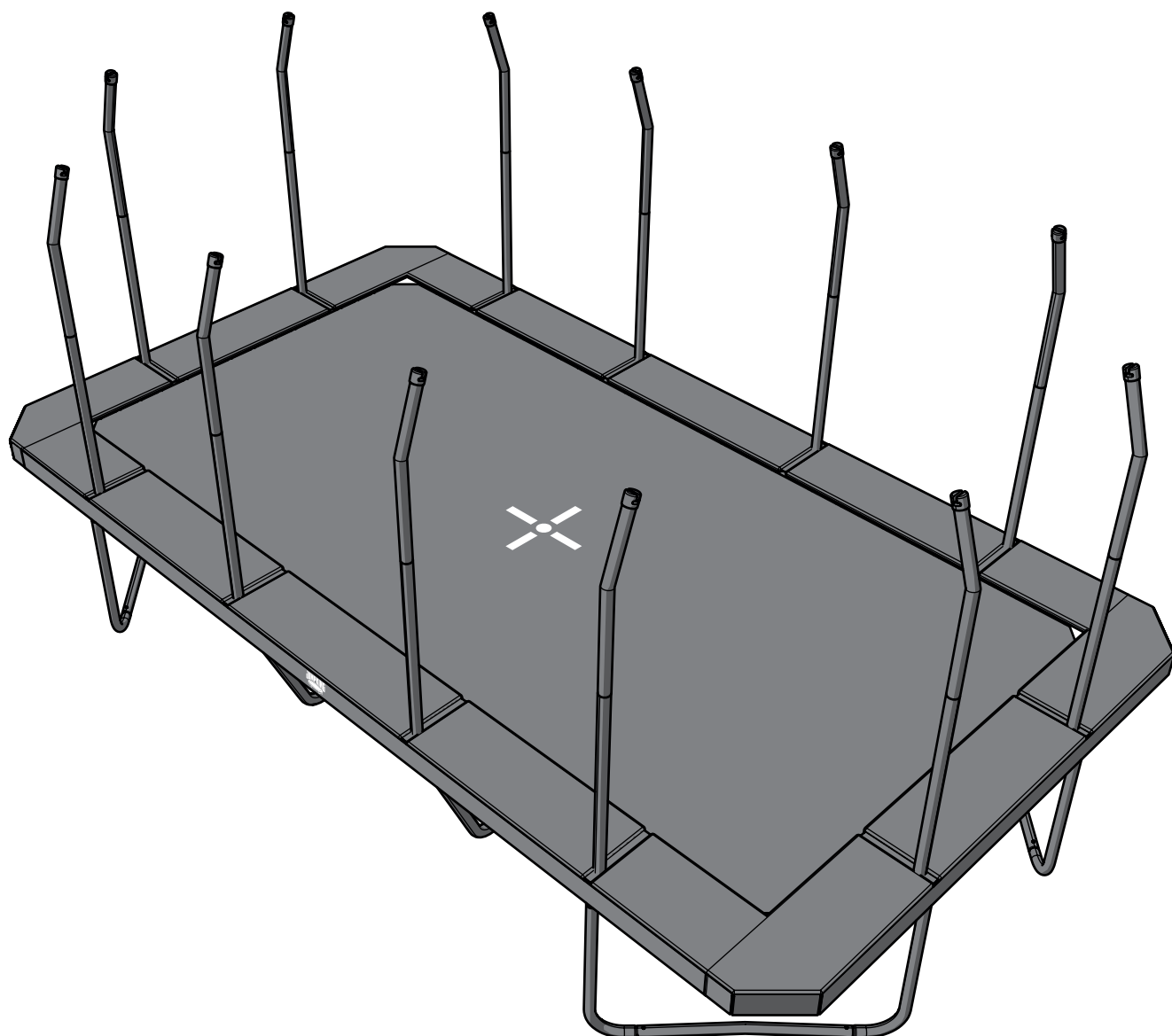
2

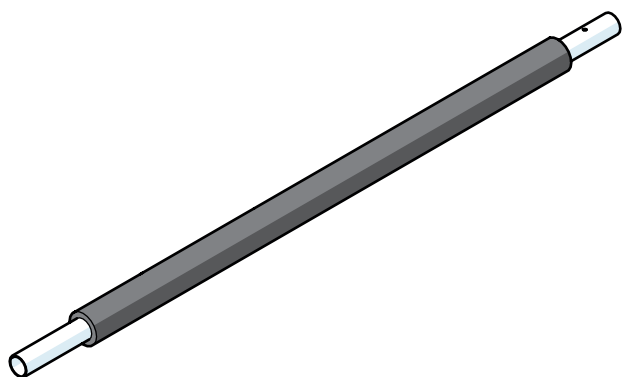
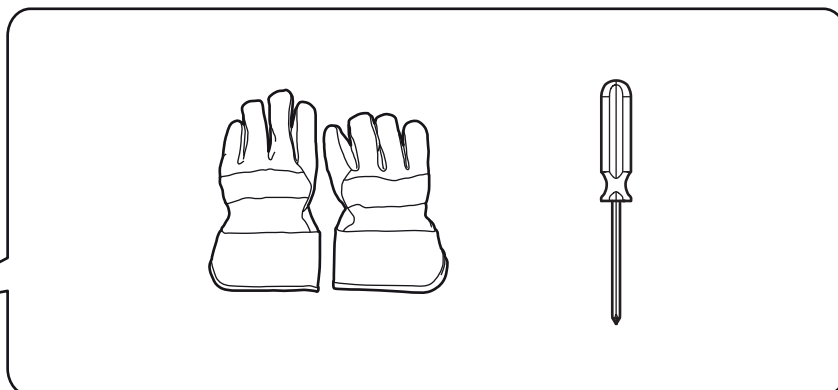
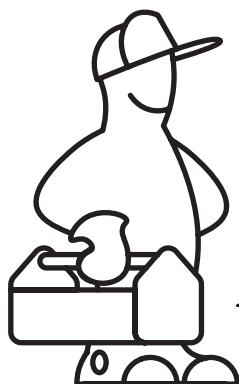


3

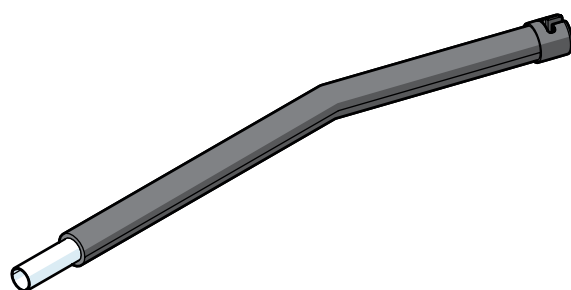


INSTALL THE ENCLOSURE NET POLES





x12
(box 2 and 3)

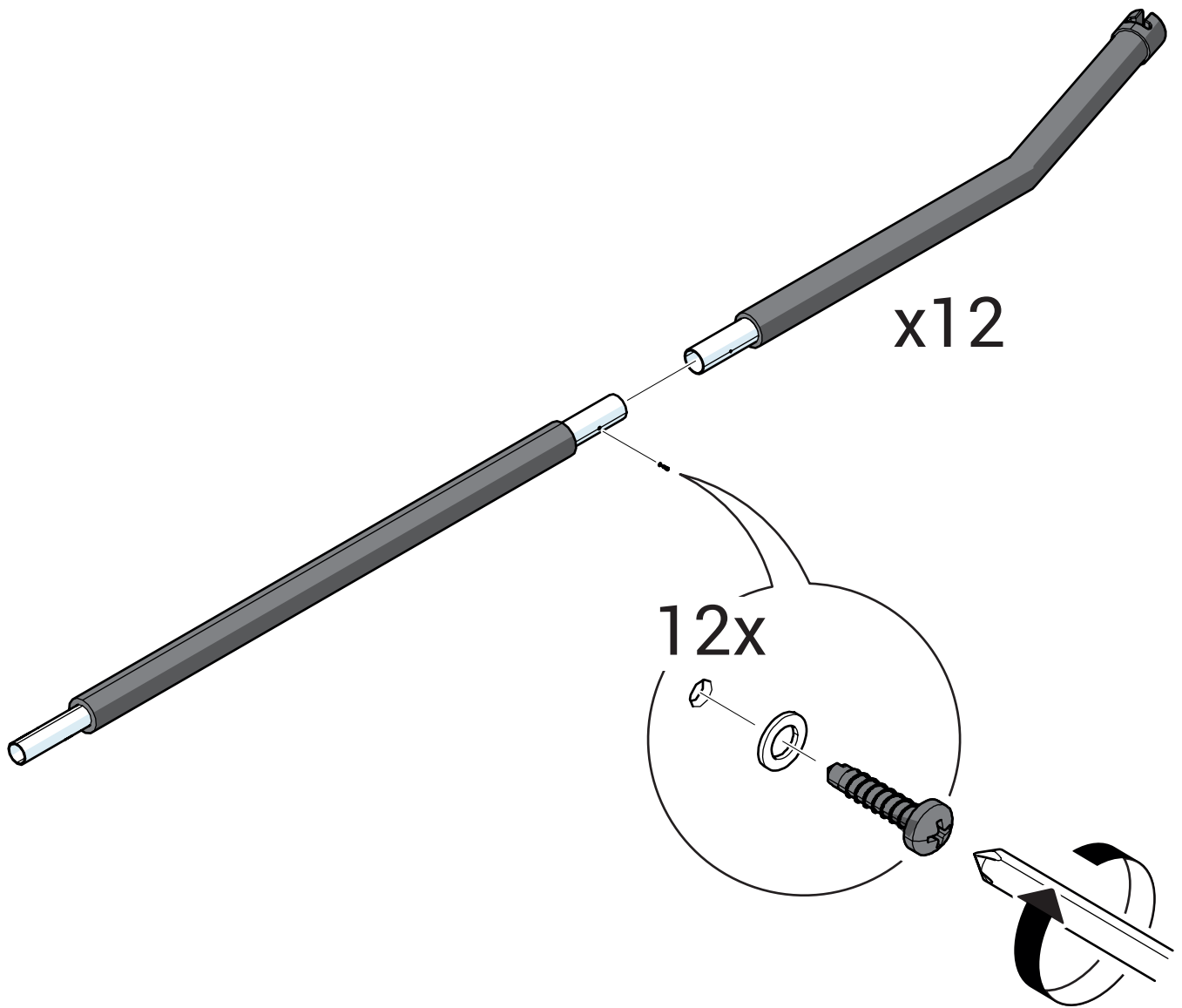


x12
(box 2 and 3)

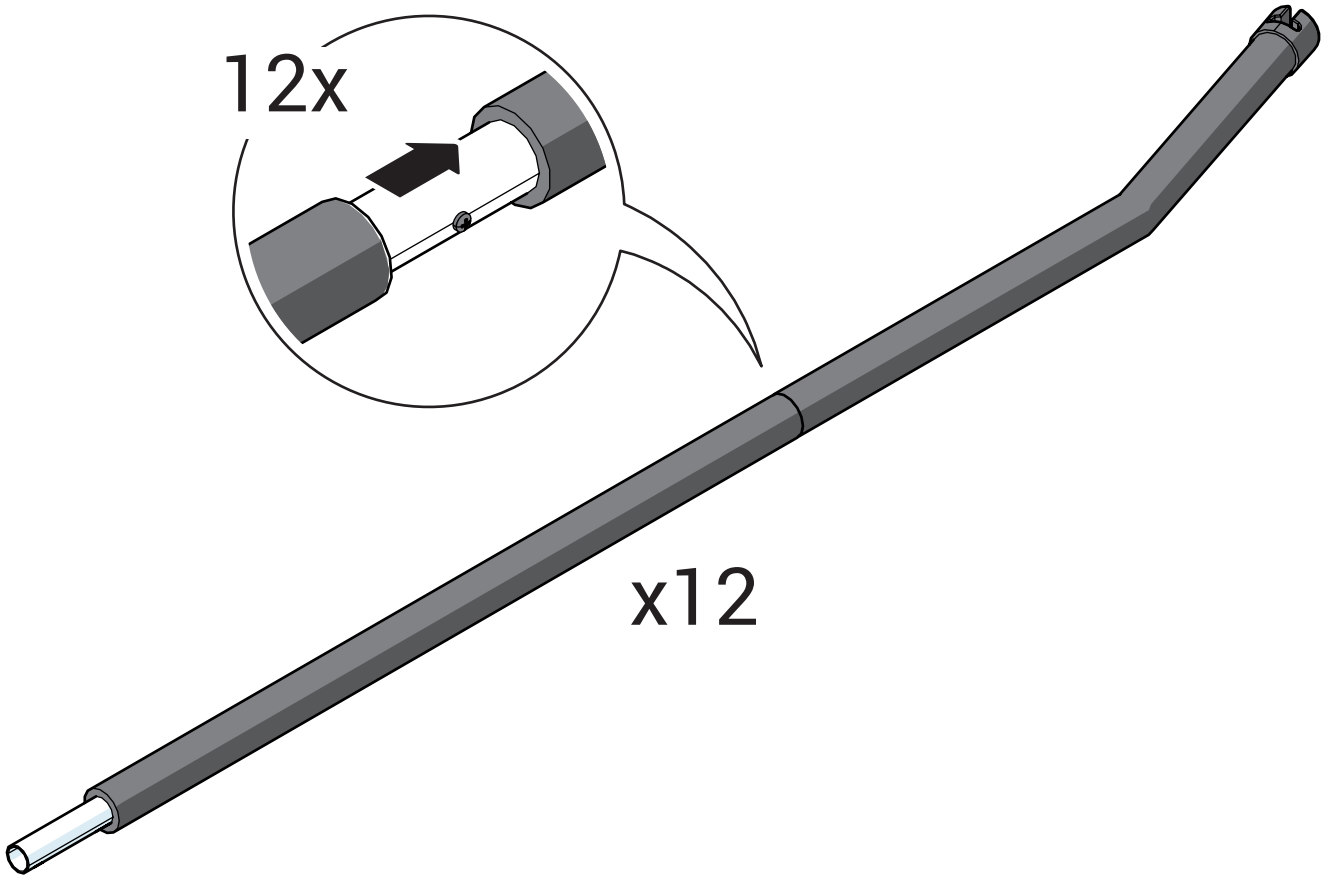


x12
(box 1)

1



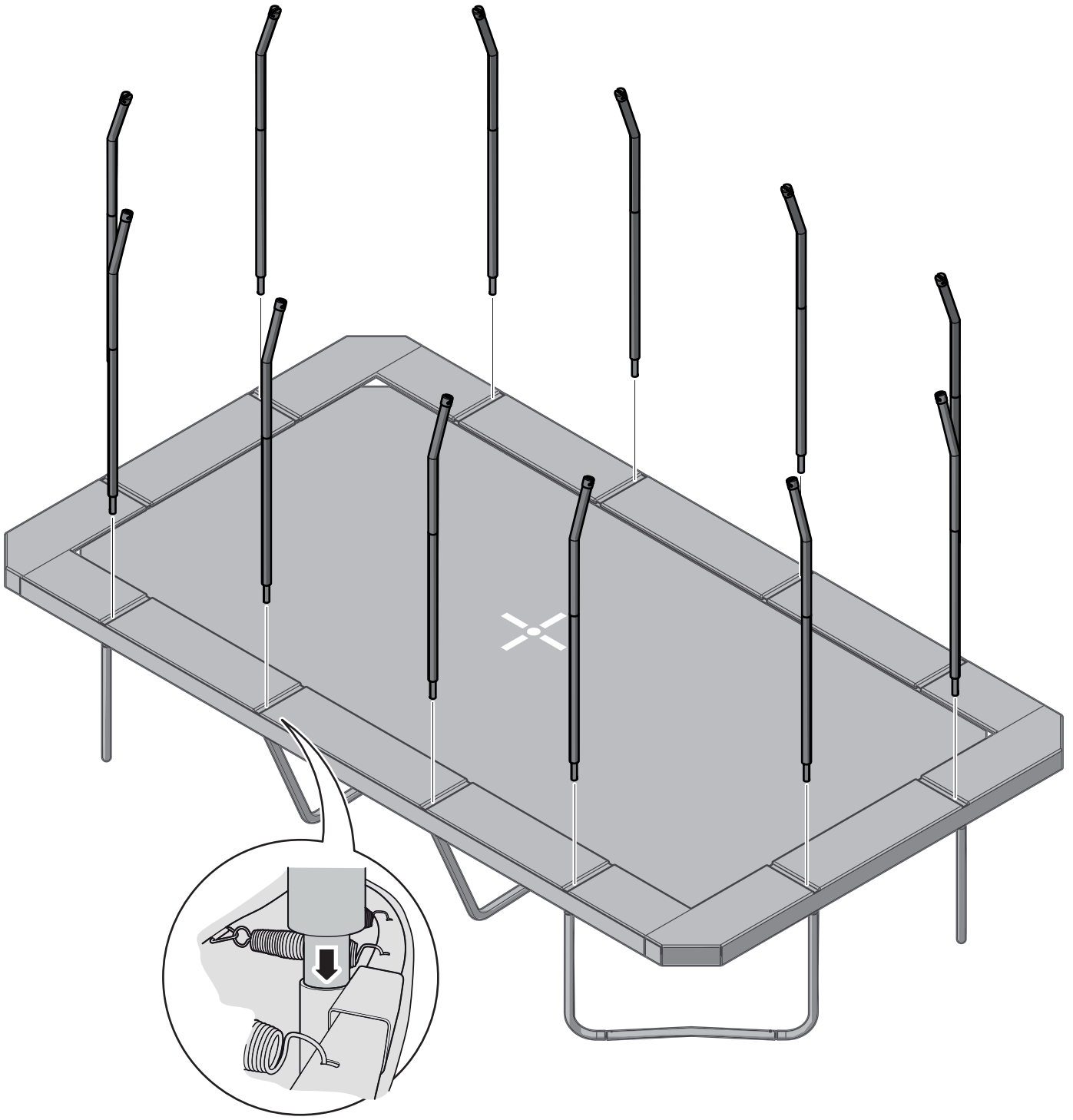
2



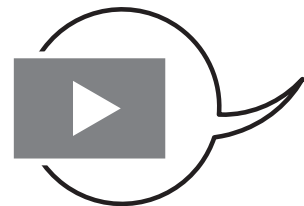
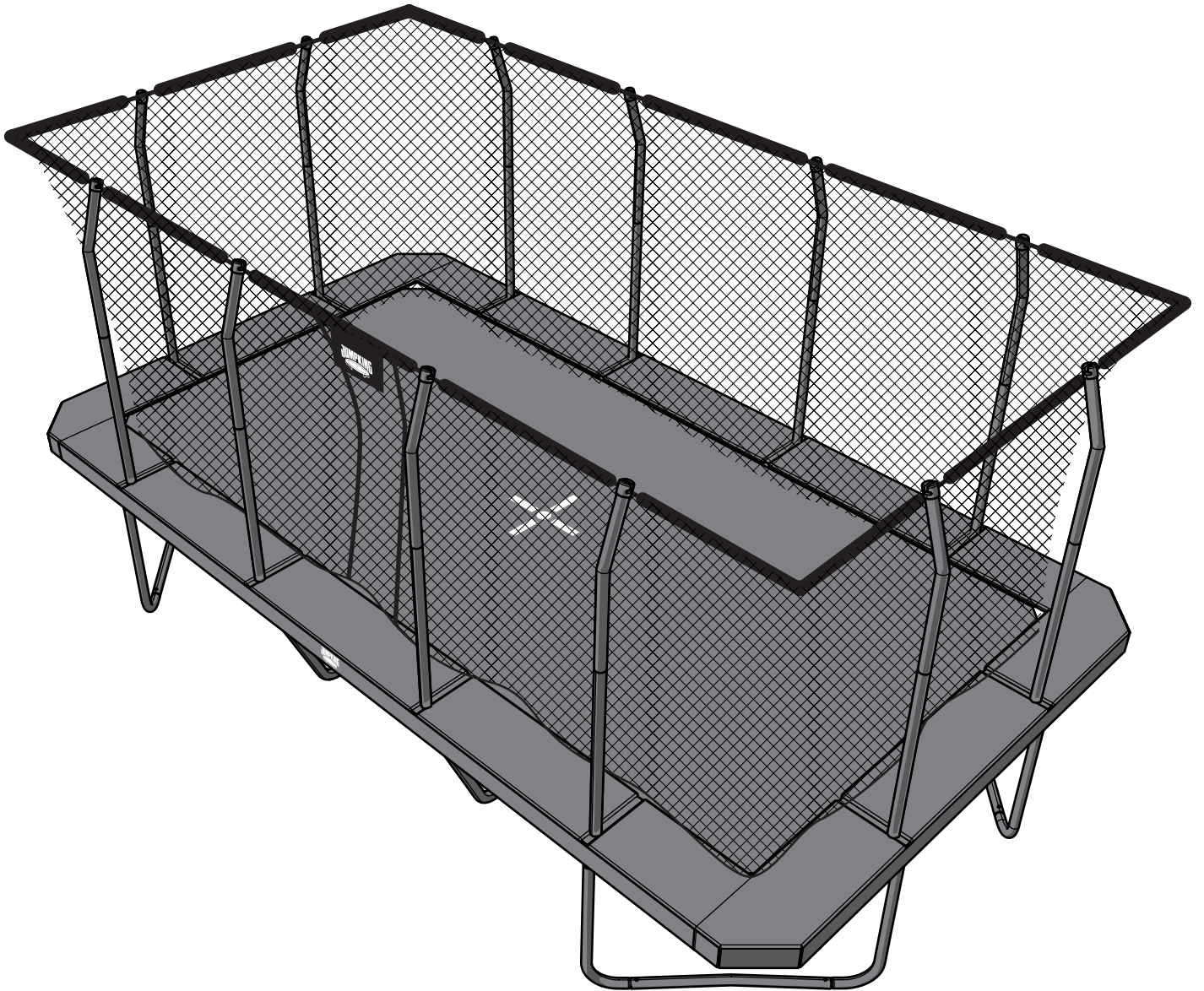
12x

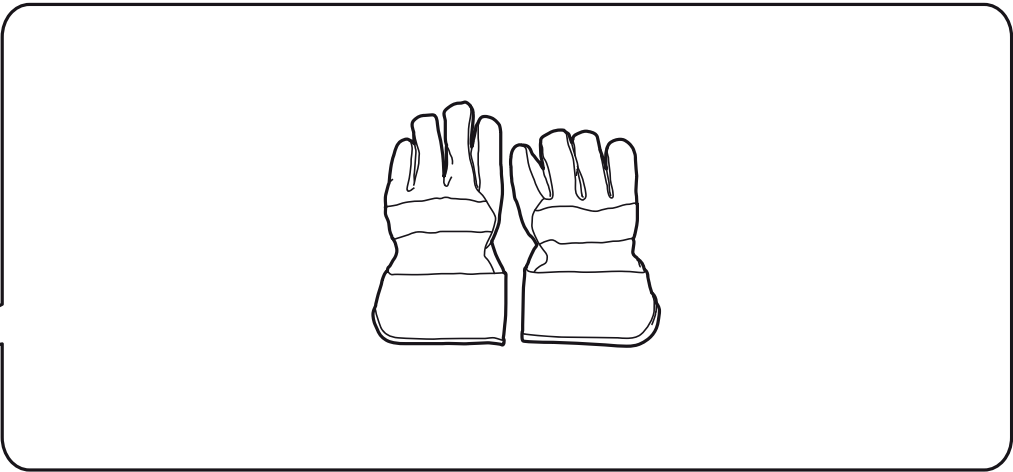
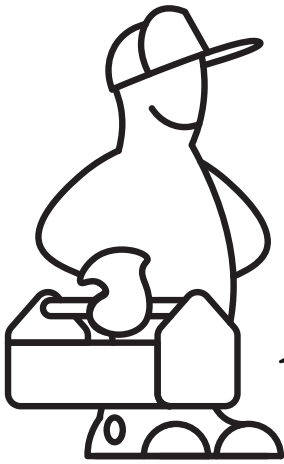
x12

3



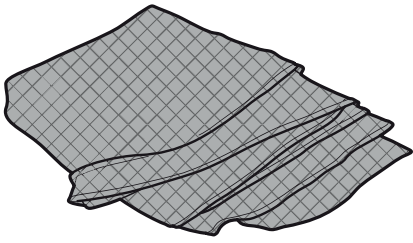
ATTACH THE TOP OF THE ENCLOSURE NET





Glass fiber poles
(box 3)

- Marked "A" x8
- Marked "B" x4
- Marked "E" x2
- Marked "C" x2

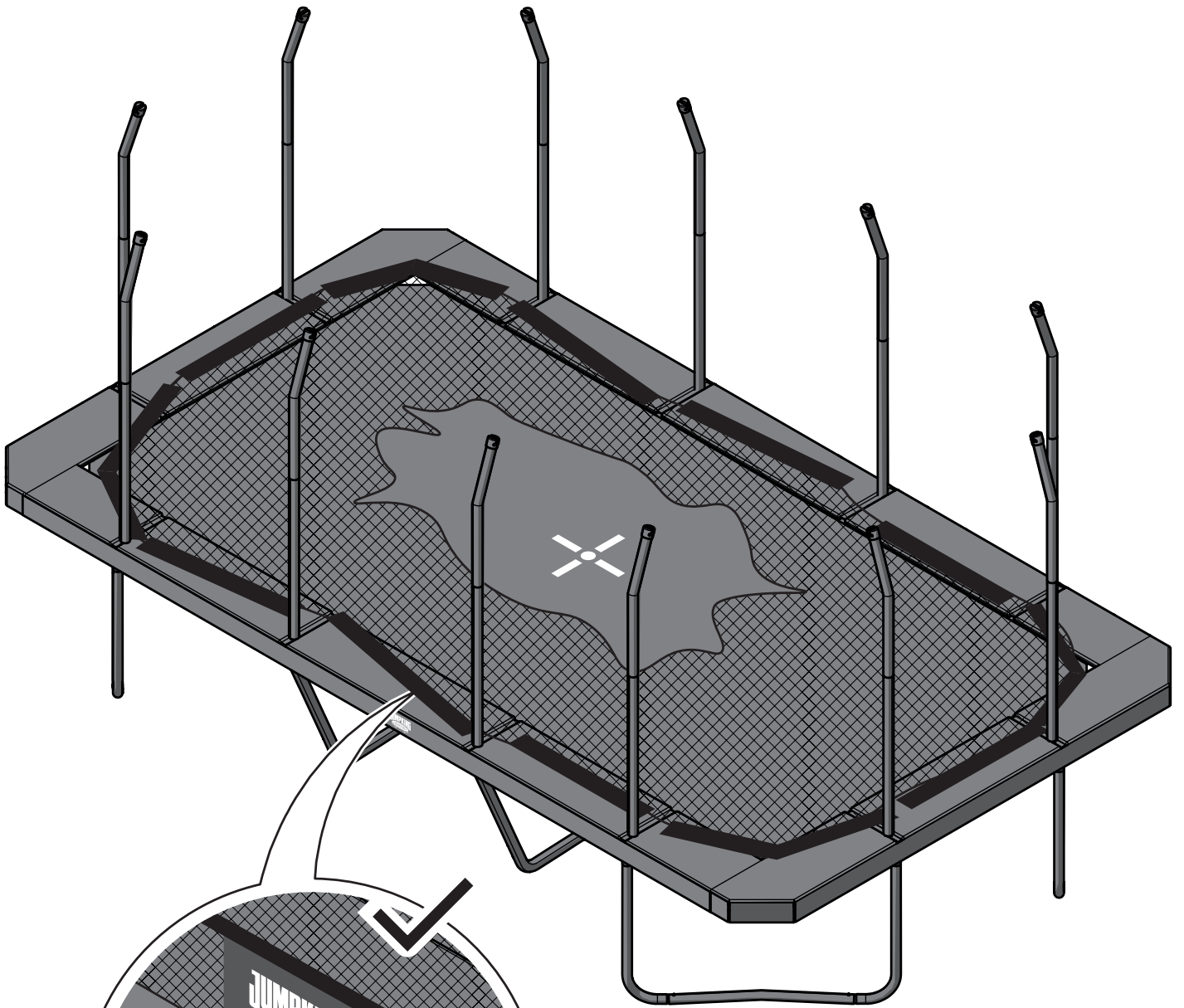


x1
(box 3)



x4
(box 3)

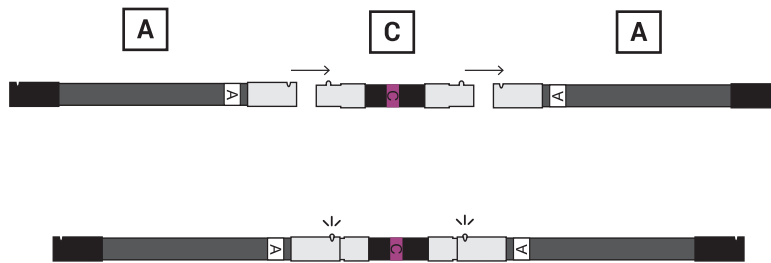
1



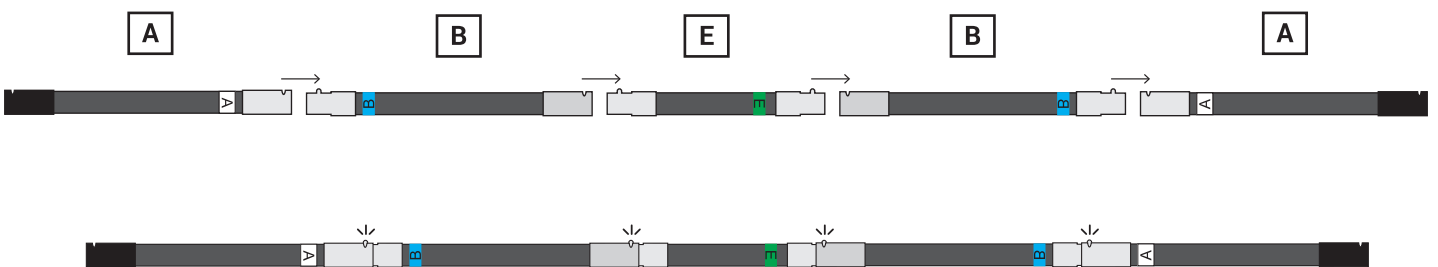
Make sure to align the logo of the safety net with the logo on the frame pad.

2

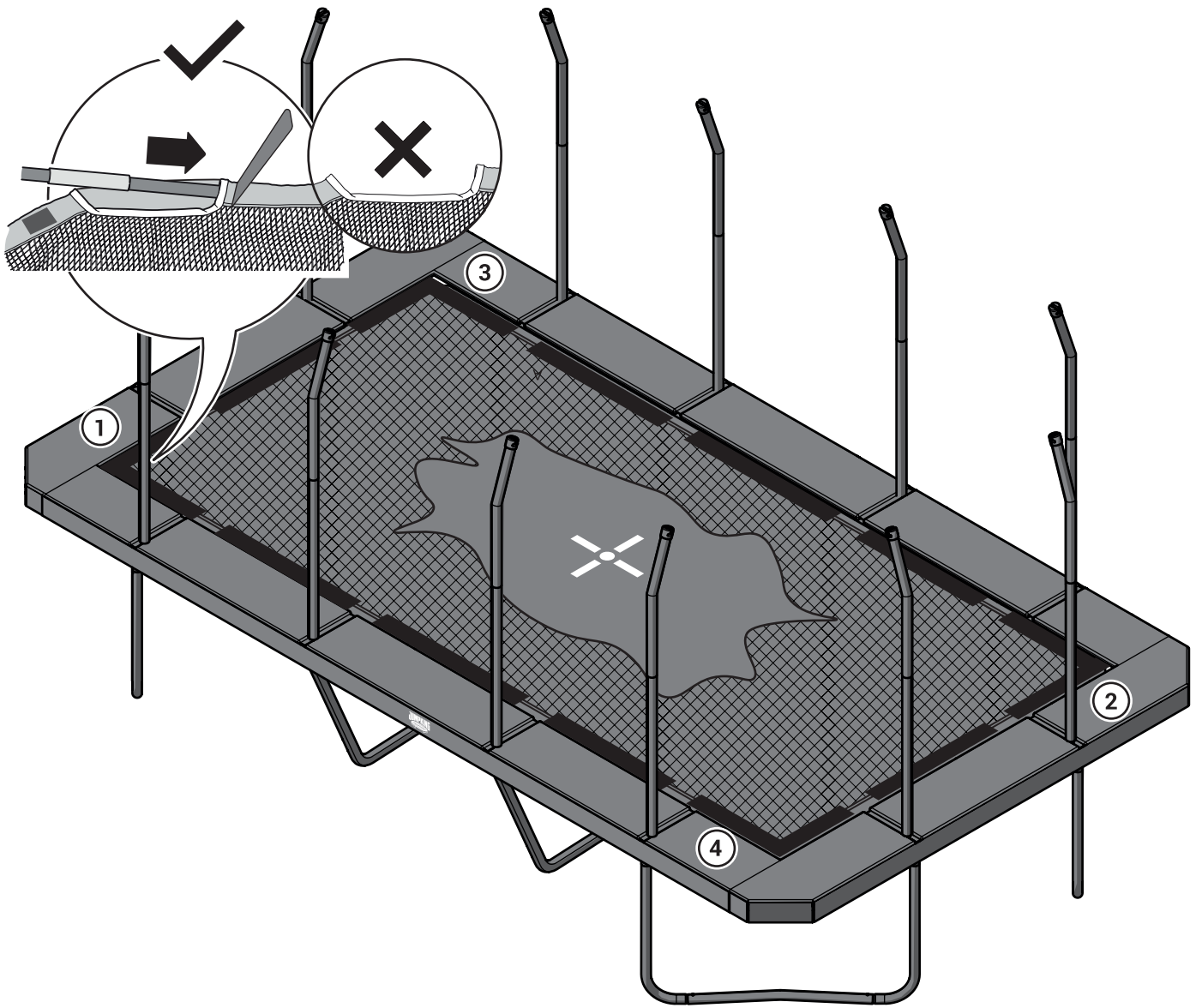
x2
"Short side"



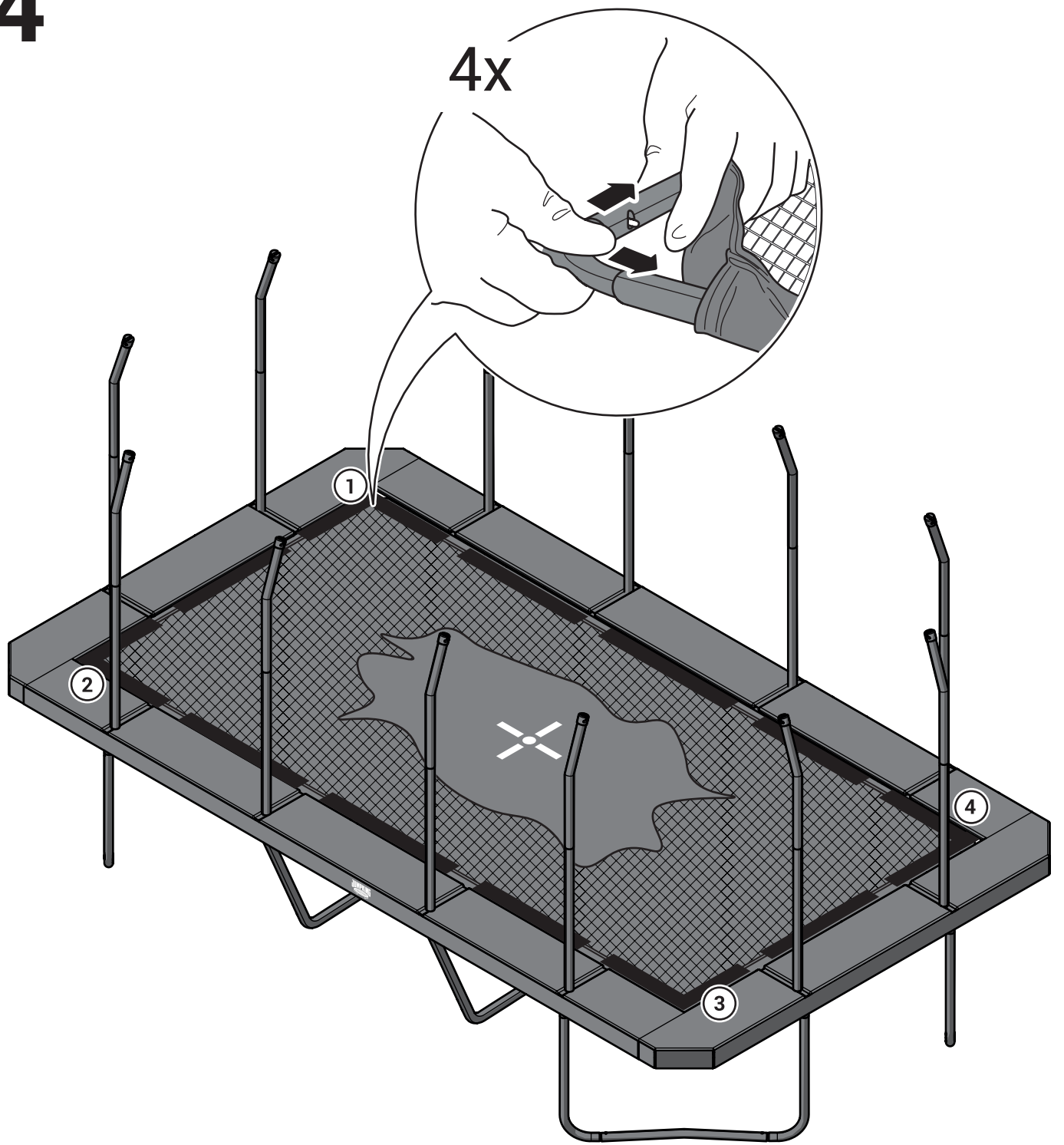
x2
"Long side"



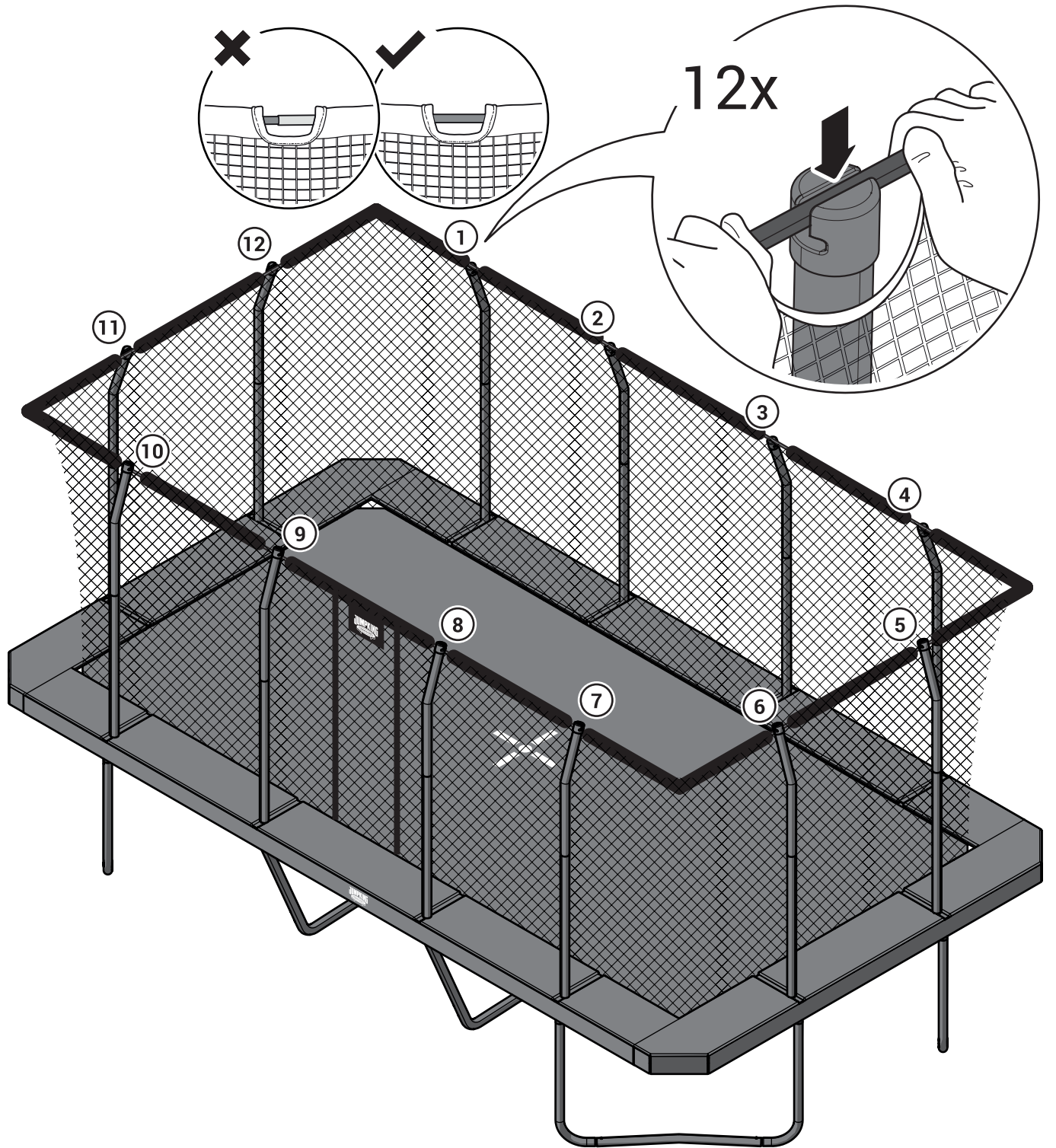
3



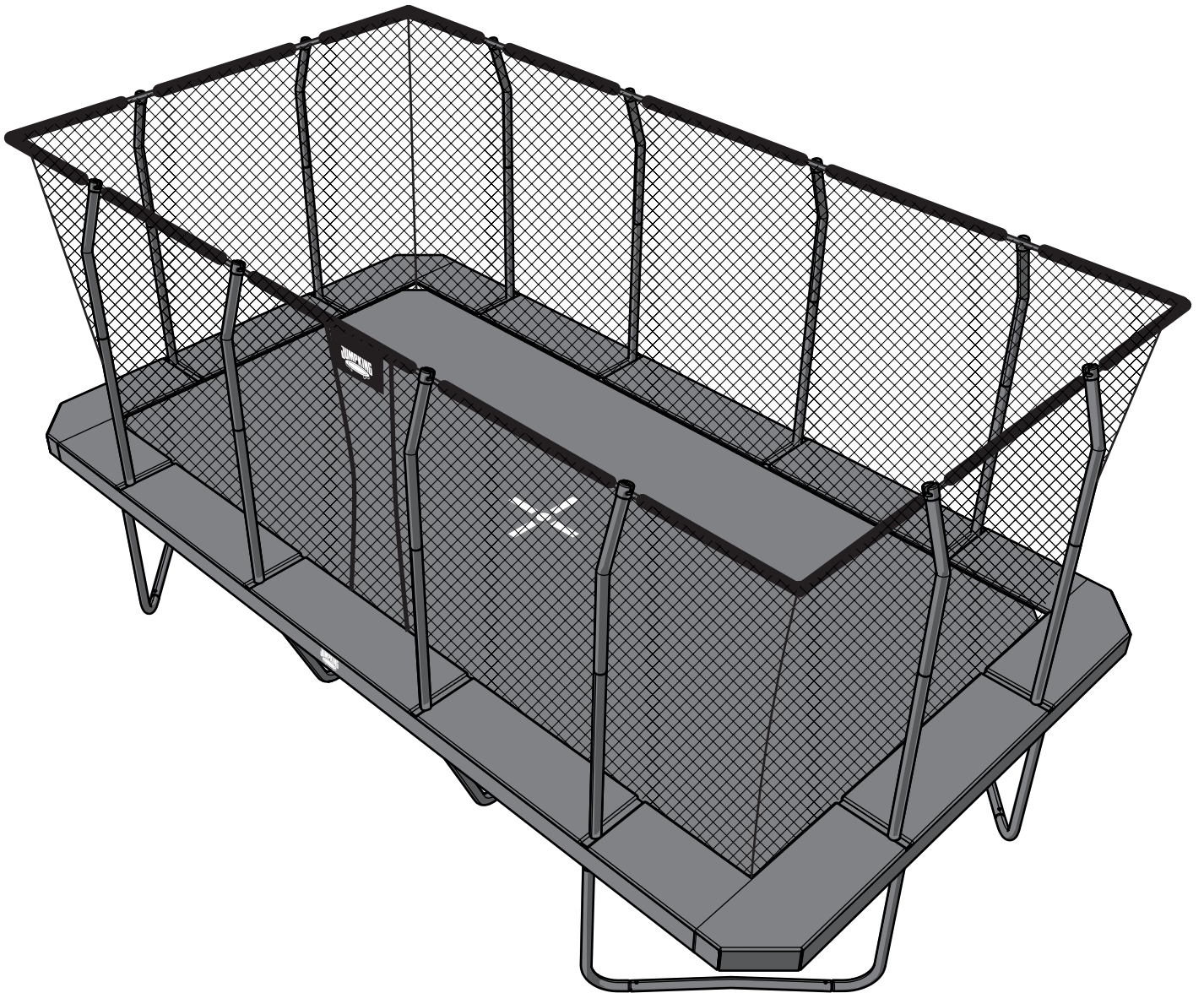
4

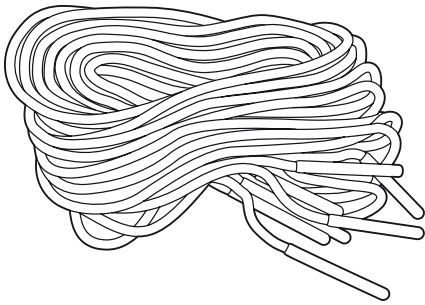


5



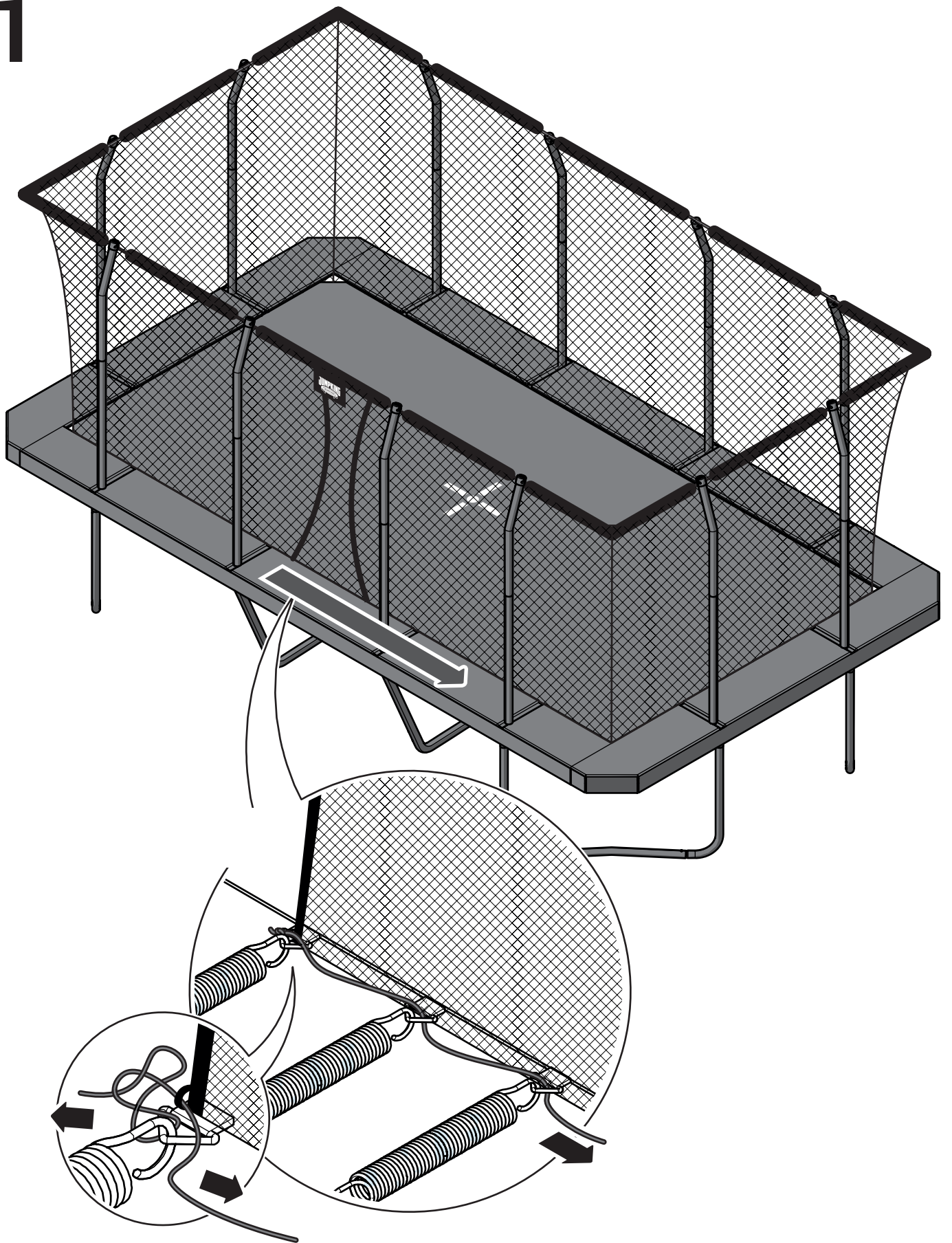
ATTACH THE BOTTOM OF THE ENCLOSURE NET



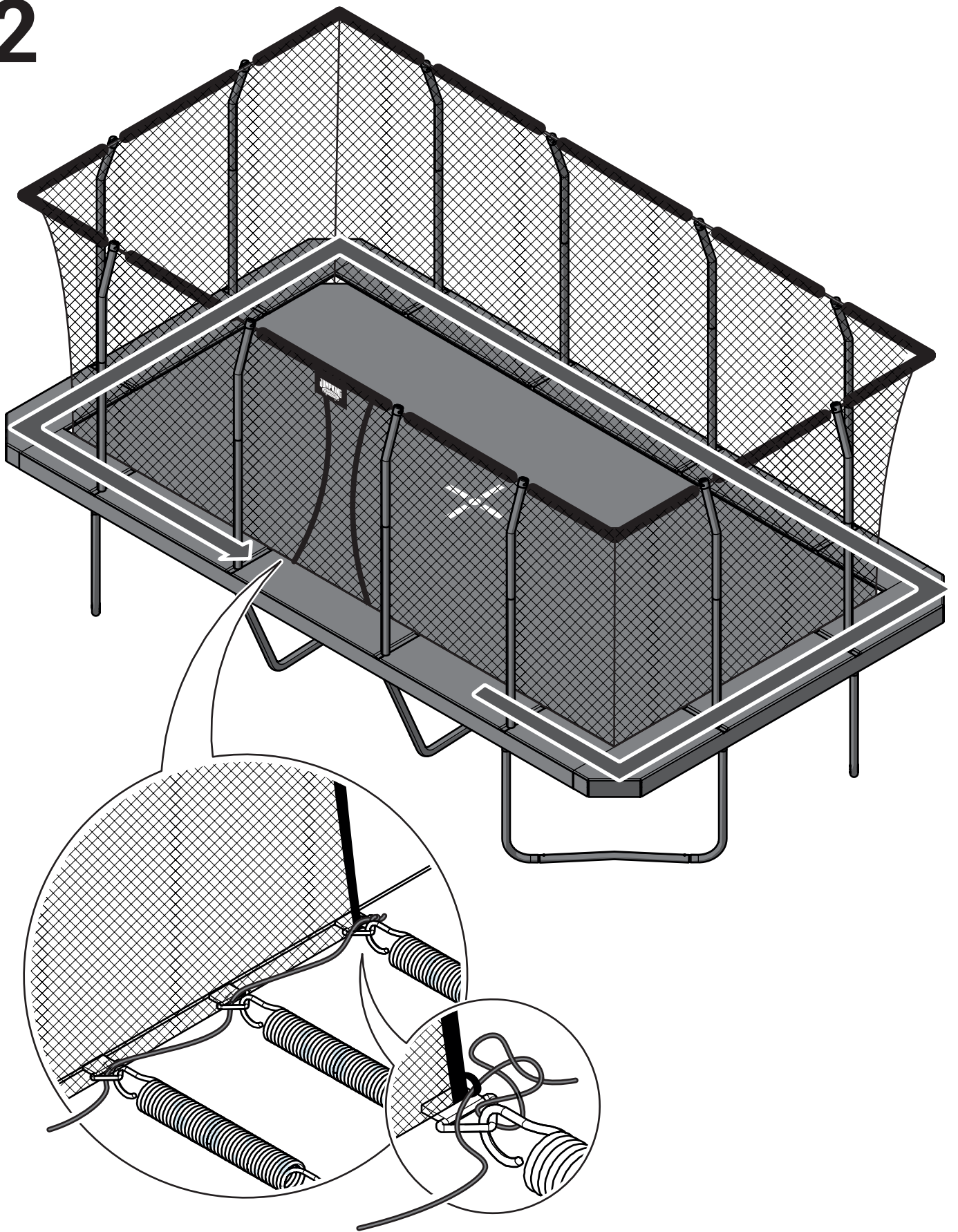


x8
(box 1)

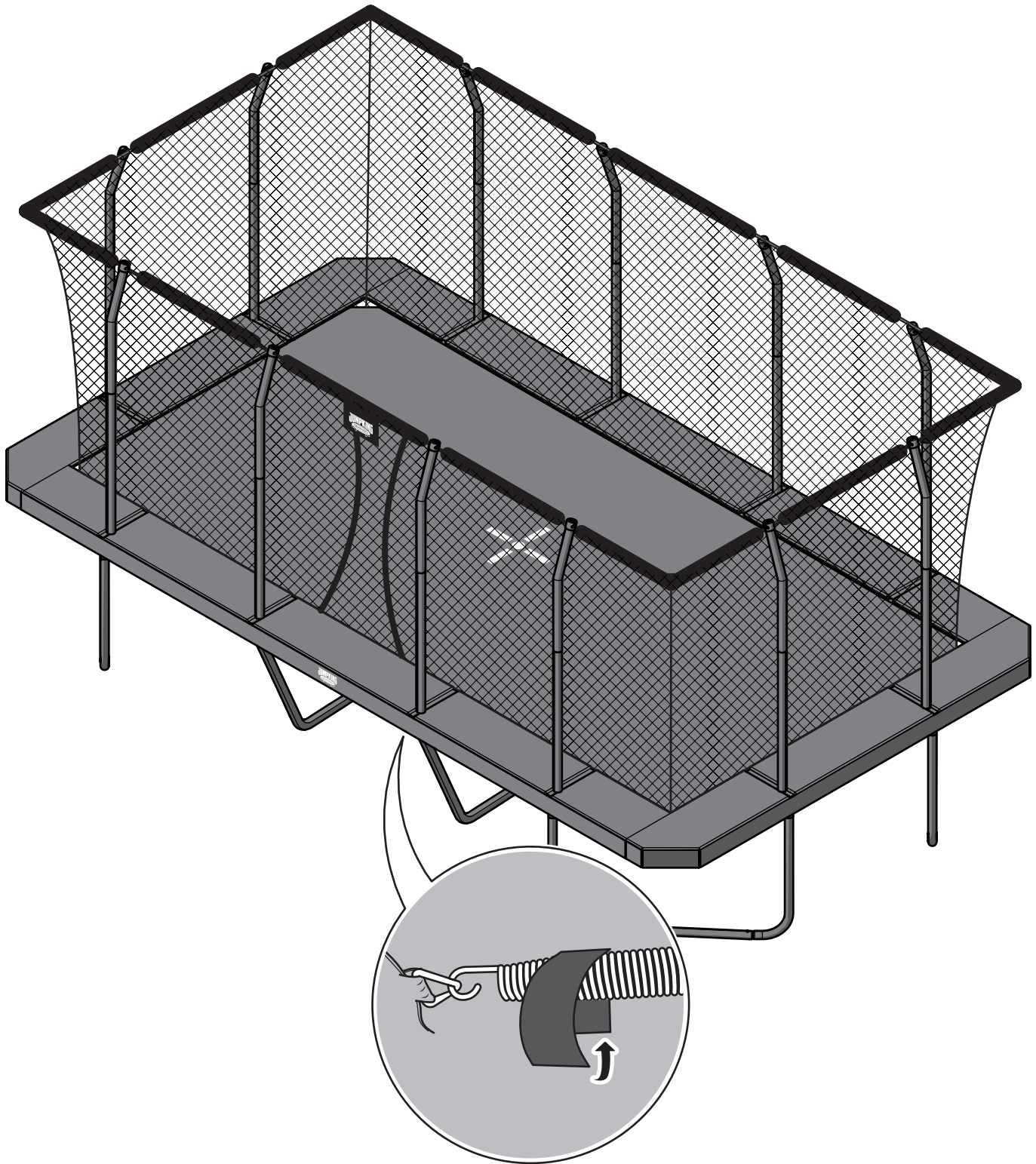
1



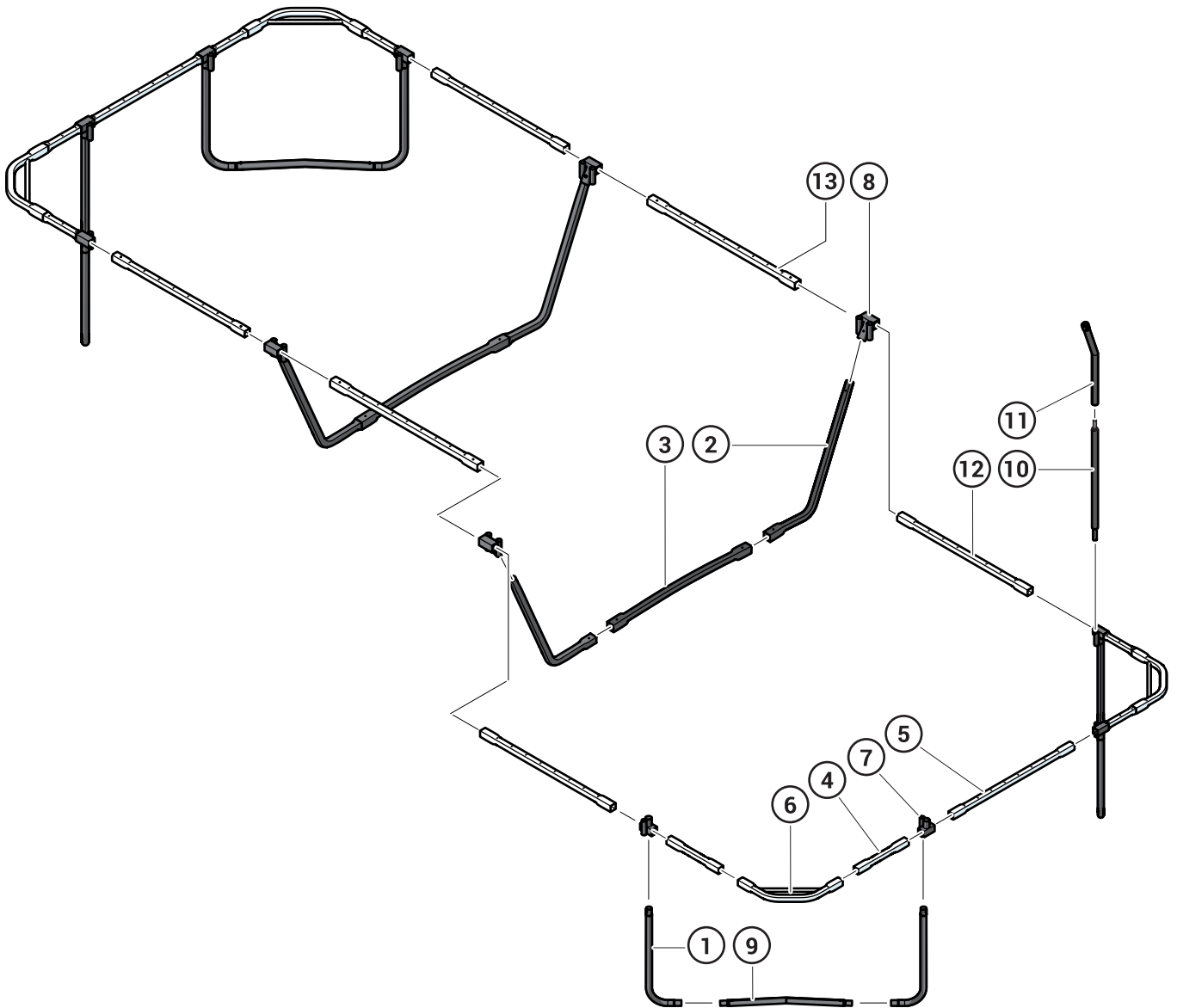
2



3



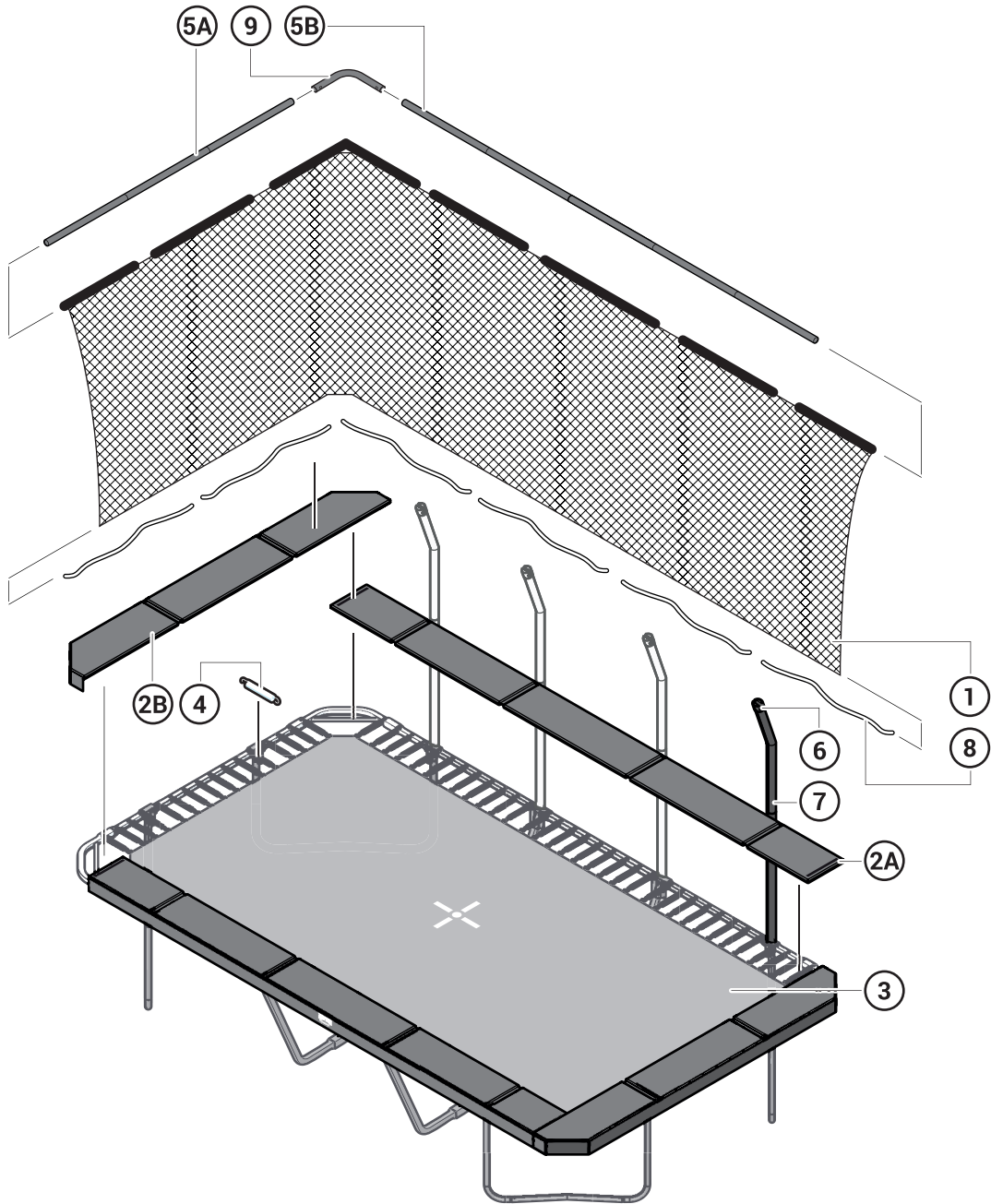
FRAME PART LIST



Pos	Description	Quantity	Part Number
1	L-leg	8	RRSPSLL
2	Centre support leg	4	RRSPSCLS
3	Centre support V-leg	2	RRSPSCLSV
4	Top tube "A"	8	RRSPSTFA
5	Top tube "C"	2	RRSPSTTC
6	L-top tube (corner)	4	RRSPSLTT
7	T-connector - 1 welded tube	8	RRSPSTCW1
8	T-connector - 2 welded tube	4	RRSPSTCW2
9	Centre leg	4	RRSPSCL

Pos	Description	Quantity	Part Number
10	Bottom pole 32 mm	12	90032NR
11	Top pole 32 mm	12	90032ÖR
12	Top tube "B"	4	RR1810V1TT-B
13	Top tube "D"	2	RR1810V1TT-D

SPARE PART LIST



Pos	Description	Quantity	Part Number
1	Safety net	1	1018N
2A	Frame pad (long)	2	1018K1
2B	Frame pad (short)	2	10SPSK1
3	Bed	1	1018H
4	Spring - 25 cm	98	70025
5A	G4 set (short side)	2	-
5B	G4 set (long side)	2	-
6	Enclosure Cap	12	127-32V2
7	XPE Foam sleeve	24	71032XPE8P

Pos	Description	Quantity	Part Number
8	Enclosure net cord	8	70025
9	G3/G4 connector	4	MG3RECL
-	Spring tool	1	565
-	Self tapping screw	36	90041